



Micro Card Edge connector, 0.8 mm pitch

Page

General information and features

05.02

Technical characteristics, board dimensions

05.03

40pin connector

05.04

100pin connector

05.05

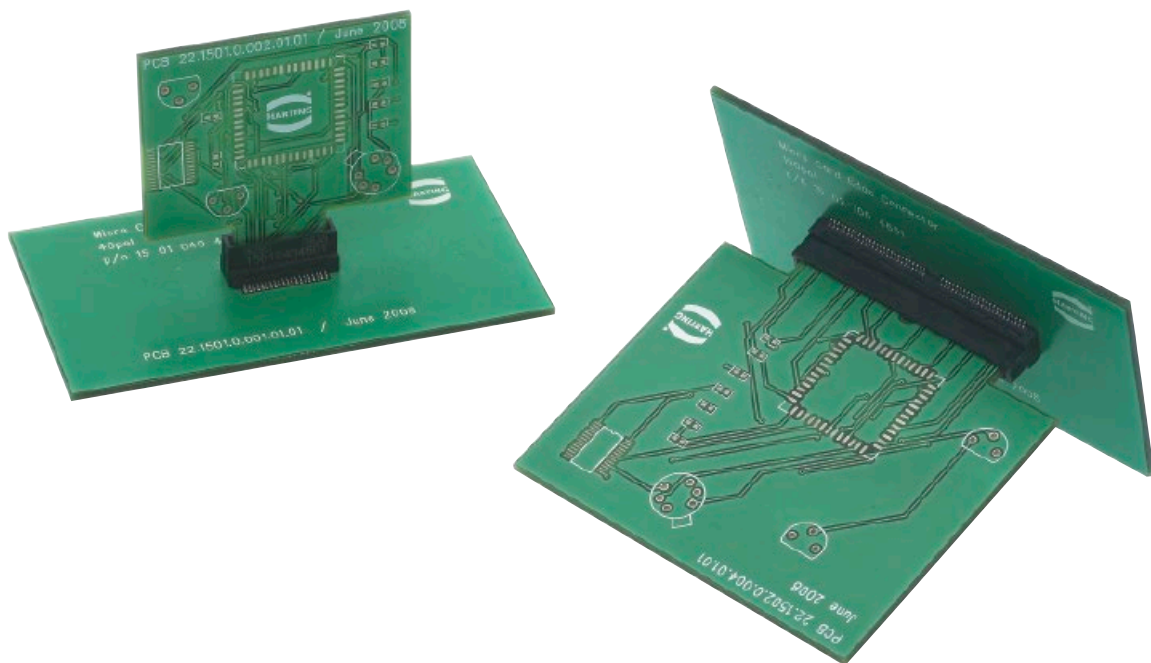
MCE

HARTING offers the new Micro Card Edge connector in surface mount technology for PCBs with the thickness of 1.6 mm. The new connector is suitable for board-to-board mezzanine as well as for small „pluggable daughter card” applications. The key feature of the new connector in mezzanine applications is the achievement of flexible staple heights of parallel boards.

The HARTING Micro Card Edge connector allows data transfer rates up to 14Gbps and is suitable for high-speed applications in the telecom, medical and industrial markets. The connector is available with 40 or 100 contacts in 0.8 mm pitch.

An extremely smooth contact surface achieved by the usage of high performance stamping tools and a special surface finish ensures low insertion forces and a high contact reliability.

HARTING’s Micro Card Edge connector offers excellent features for high volume manufacturing like tape-and-reel packaging and a pad for nozzle in high volume productions.



Features

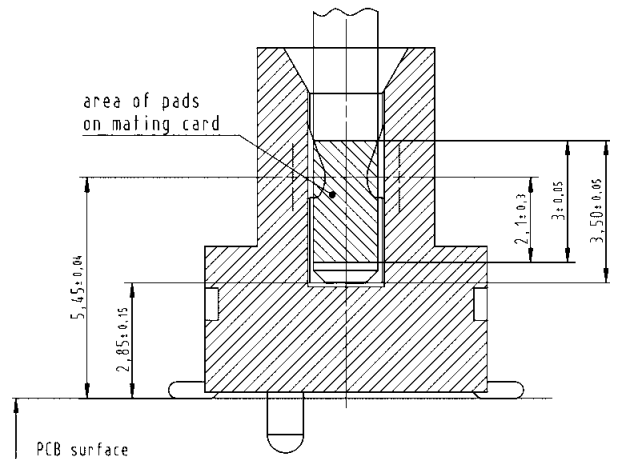
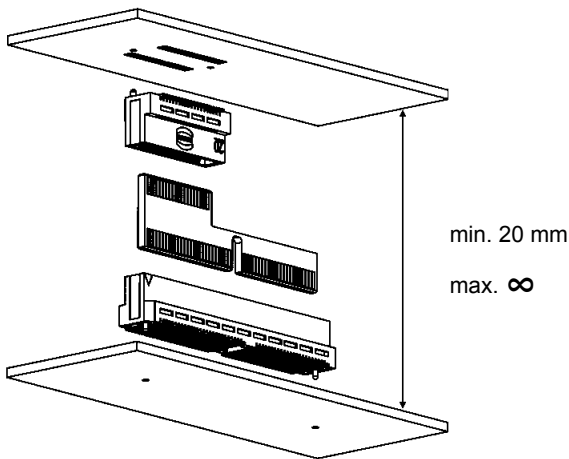
- High speed data transmission between mezzanine or daughter card boards in telecom, medical, datacom and industrial applications.
- The key feature for mezzanine application is that the distance between parallel boards is flexible by utilizing a small board between the connectors. This gives flexibility in the mechanical design of the system.
- SMT termination gives good signal integrity characteristics for the card edge connector.

Contact spacing	: 0.8 mm
Working current	: 1.7 A at 80 °C ambient
Test voltage	: 600 V AC
Mating cycles	: 200
Number of contacts	: 40, 100
Mating card thickness	: 1.6 + 0.1 mm
Operating temperature	: -55 °C up to +125 °C
Max processing temperature	: 230 °C for 60 sec. or 260 °C for 20 sec.
ROHS-compliance	: yes

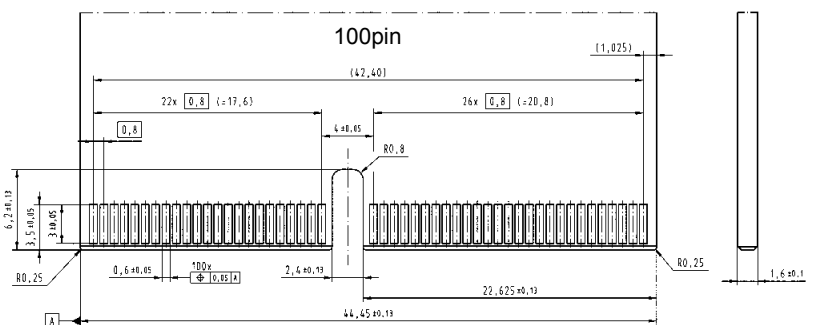
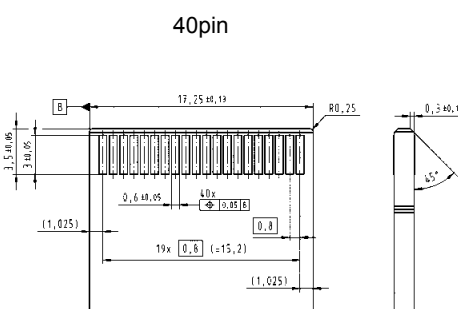
Materials

Mouldings	: LCP, glass-fibre filled, UL 94-V0
Contacts	: Copper alloy with Ni plating
Contact surface	
Contact zone	: Pd/Ni plating with Au flash
Termination zone	: Sn/Ni plating

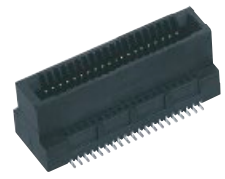
Board dimensions



Recommended mating card layout



MCE



40pin connector

Identification	Number of contacts	Part number	Drawing	Dimensions in mm
Micro Card Edge connector 2800 pieces in a "Tape and Reel" packaging (14 reels with 200 pcs.)	40	15 01 040 4601 040		
200 pieces in a "Tape and Reel" packaging	40	15 01 040 4601 042		
Single connector sample	40	15 01 040 4601 333		
Board layout				
"Tape and Reel" packaging				
Reel dimensions				

MCE

Micro Card Edge connector



100pin connector

Identification	Number of contacts	Part number	Drawing	Dimensions in mm
Micro Card Edge connector 1800 pieces in a "Tape and Reel" packaging (9 reels with 200 pcs.) 200 pieces in a "Tape and Reel" packaging	100	15 02 100 4601 040		X (5:1) pick & place pad, self-adhesive 5,5±0.2 x 11±0.2
Single connector sample	100	15 02 100 4601 333		
Board layout				
"Tape and Reel" packaging				
Reel dimensions				

MCE

05
05



MCE

05
-
06