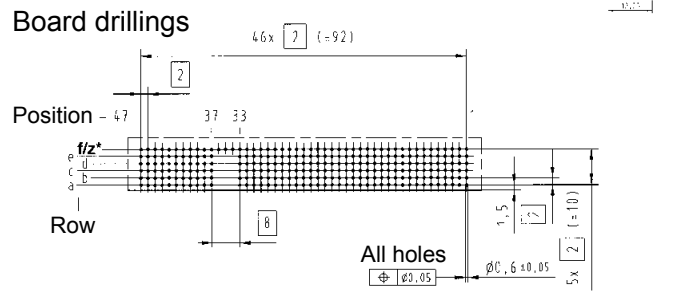
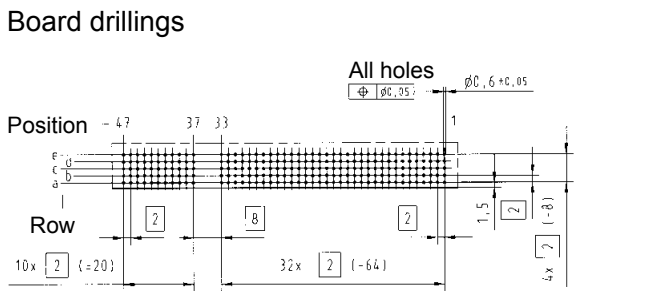
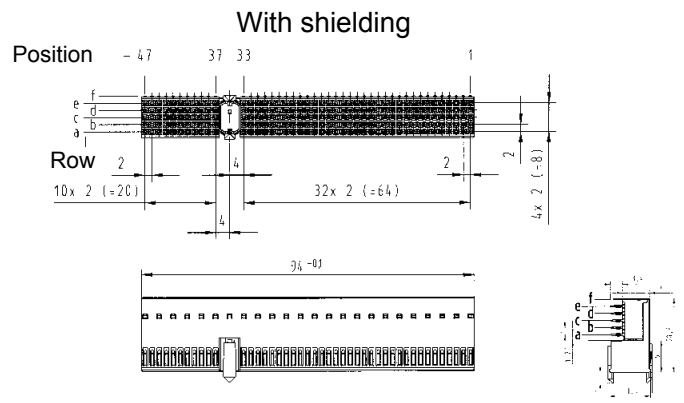
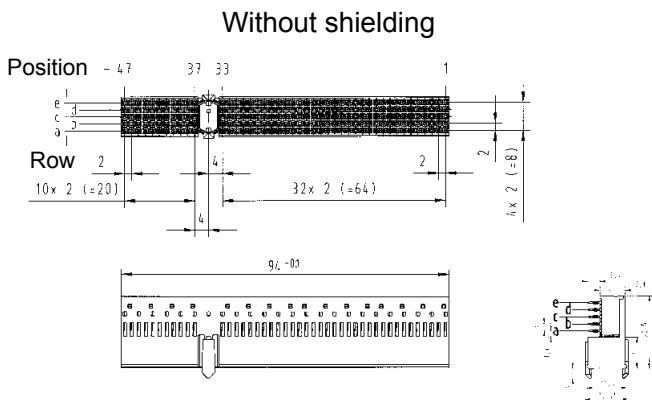


Female connectors, angled

Identification	No. of contacts	Contact length [mm] termination side	Part number
Type Monoblock 47	220	3.4	17 26 220 1101 <b>17 26 220 2101</b>
Type Monoblock 47 with upper shield	220	3.4	17 26 220 1102 <b>17 26 220 2102</b>
Type Monoblock 47 with upper shield CompactPCI computer telephony	200	3.4	17 26 200 1103 <b>17 26 200 2103</b>
Lower shield for type Monoblock 47 connectors			17 26 000 4102
Lower shield for type Monoblock 47 connectors (rows 1 – 22) CompactPCI computer telephony			17 24 000 4102
Lower shield for type Monoblock 47 connectors (rows 23 – 27) CompactPCI computer telephony			17 29 000 4102
Lower shield for type Monoblock 47 connectors (rows 37 – 47) CompactPCI computer telephony			17 23 000 4102



Dimensions [mm]

00  
30

Thin print part numbers: performance level 1  
**Bold print part numbers: performance level 2**

\* hole on even contact numbers  
 only needed for lower shielding