



Identification

Board thickness [mm]

Part number

Type C shroud

11 positions

1.6 ± 0.4

2.4 ± 0.4

3.2 ± 0.4

4.0 ± 0.4

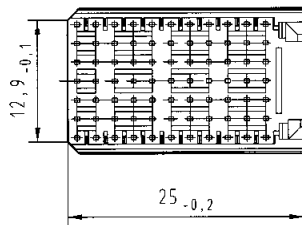
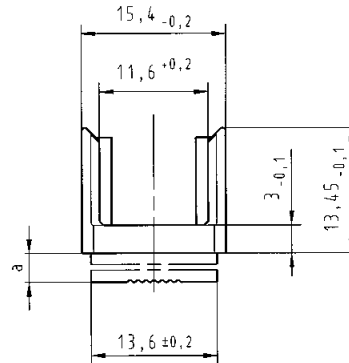
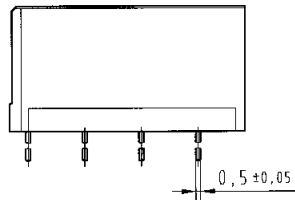
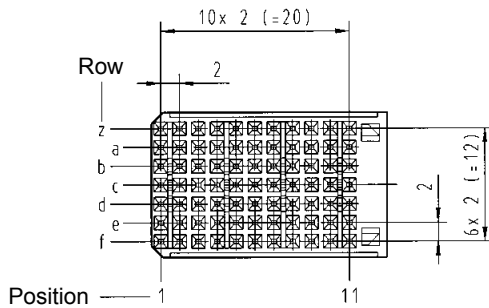
17 70 000 3001

17 70 000 3002

17 70 000 3003

17 70 000 3004

Dimensions



Board thickness [mm]	a [mm]
1.6 ± 0.4	3.1 ± 0.05
2.4 ± 0.4	2.3 ± 0.05
3.2 ± 0.4	1.5 ± 0.05
4.0 ± 0.4	0.7 ± 0.05