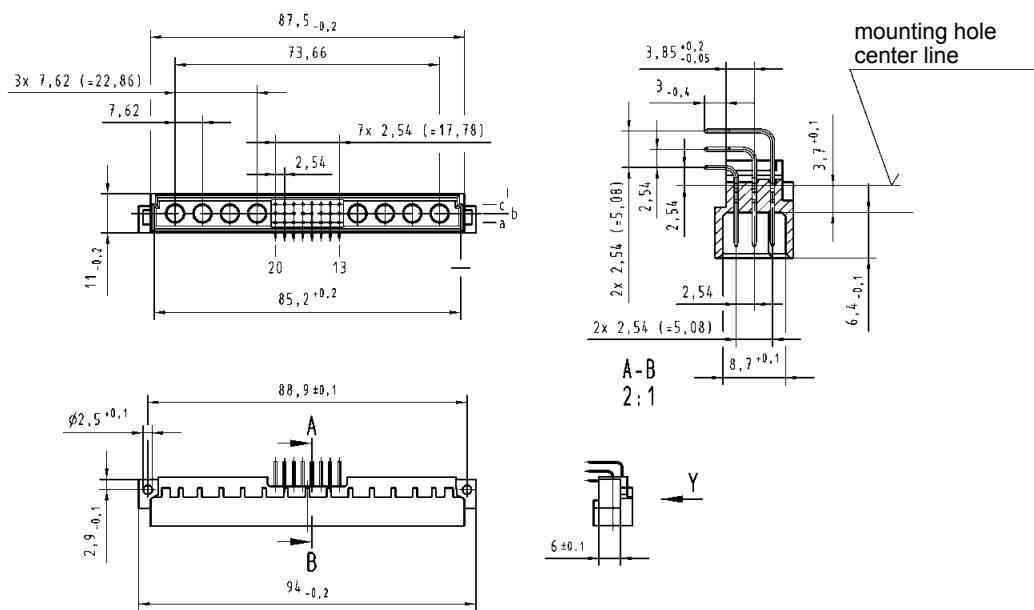


DIN 41612 Type M male connectors

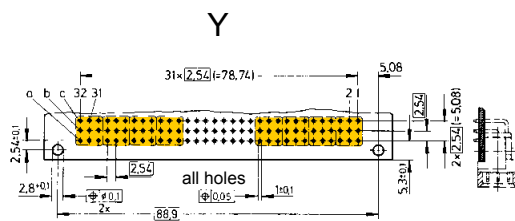
Identification	Number of contacts	Contact arrangement	Part Number	Performance levels according to IEC 60 603-2	
			3	2	1
Male connector with angled solder pins	24 + 8		09 03 124 7901	09 03 124 6901	09 03 124 2901

Dimensions



Order high current contacts separately, see page 00.44

Board drillings Mounting side



Board drillings depend on type and special contact loading

Dimensions in mm