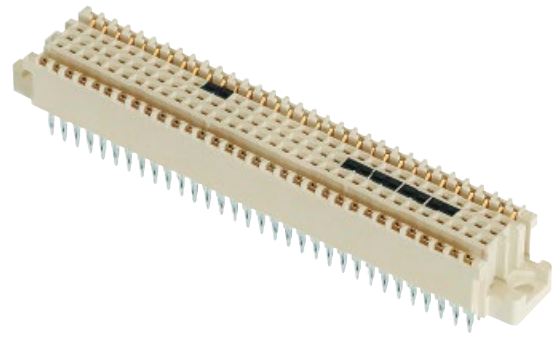


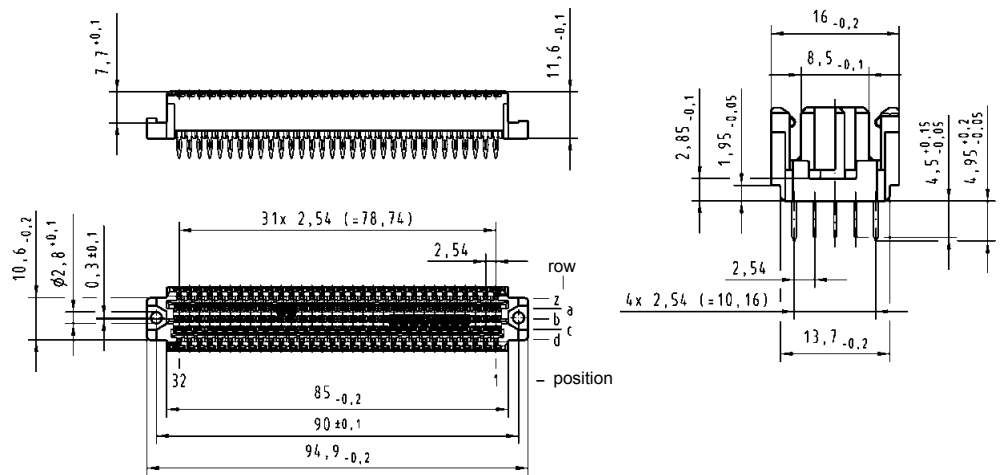
## haribus<sup>®</sup> 64

### Female connectors



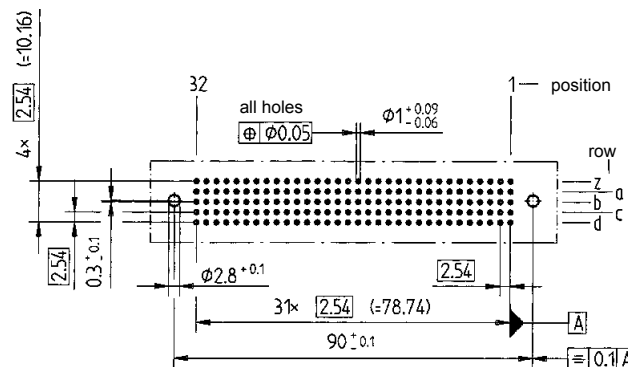
Identification	Number of contacts	Contact arrangement	Part number Performance level 2 according to IEC 61076-4-113
Female connectors, straight with switches <sup>1)</sup>  with press-in terminations  with flange 4.5/5 mm	160	z, a, b, c, d	02 03 160 2201

### Dimensions



### Board drillings

#### Mounting side



Dimensions in mm

<sup>1)</sup> Switching elements at positions a21-22, b4-5, b6-7, b8-9 and b10-11  
Further types see DIN 41612 catalogue