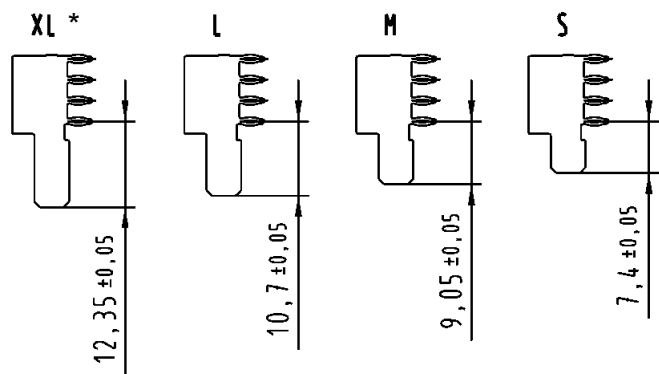
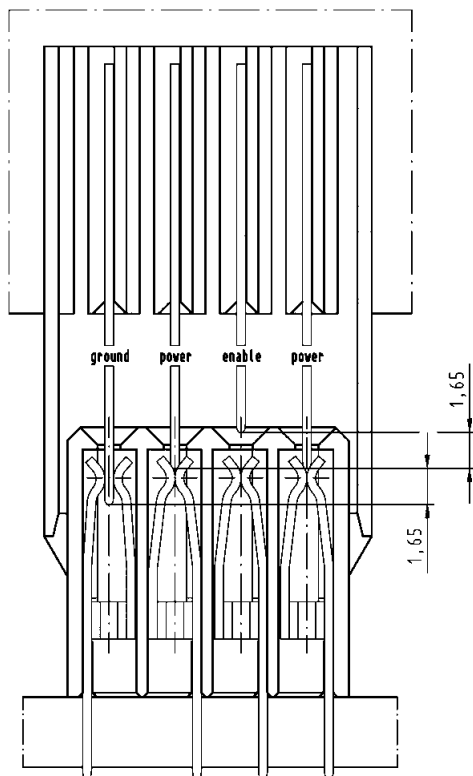


The *harbus[®] HM* HM Power connector is designed according to the OBSAI Specification V 1.1. It is well-suited to be used in conjunction with 2 mm *harbus[®] HM* connectors. The durability is according to IEC 61076-4-101 (250 mating cycles).

The straight female connector for the backplane is fitted with press-in contacts, the right angled male connector for daughter cards can be supplied with either press-in or PIHIR (Pin In Hole Intrusive Reflow) termination.

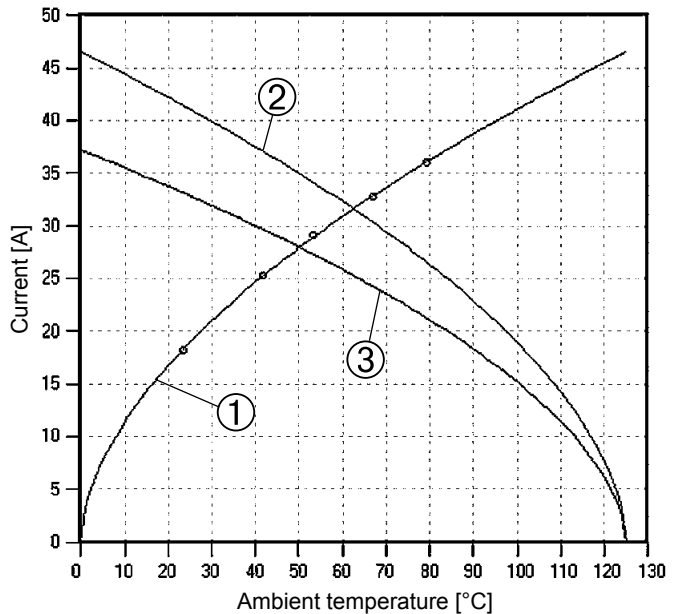


The compact, high temperature moulding can be loaded with up to four high current contacts. Four different contact lengths are available from 7.4 mm to 12.35 mm. This makes sequenced and non sequenced loadings possible (e.g. with GND and ENA). Any other contact assignments, also partially loaded, are available on request.



Loaded with four power contacts, each contact can carry up to 20 A @ 70 °C / 80 % derating.

With a configuration of two power contacts, GND and ENA, the current carrying capacity is even up to 23 A @ 70 °C / 80 % derating per contact.



- ① Temperature raise
- ② Derating
- ③ Derating curve at I_{max} x 0.8 (DIN EN 60 512-5-2)

The distance between adjacent contacts is 3 mm, which enables wider pcb traces, larger solder paste areas and an improved heat dissipation. For the female backplane connector no special tooling is necessary due to the flatrock design. For the male connector HARTING offers a special press-in tool (see chapter 15).

HARTING's *harbus[®] HM* Signal and Power connectors meet OBSAI (Open Base Station Architecture Initiative) specifications and provide a reliable and cost effective solution for connecting plug-in units to the backplane. The connector solutions available from the HARTING technology group will offer full compatibility and intermateability with base station modules.

Benefits:

- Small form factor
- High current rating up to 23 A per contact (OBSAI configuration)
- 3 level staggering (or even 4)
- Flatrock design
- Matched with *harbus[®] HM* 2 mm connectors

* Type XL on request