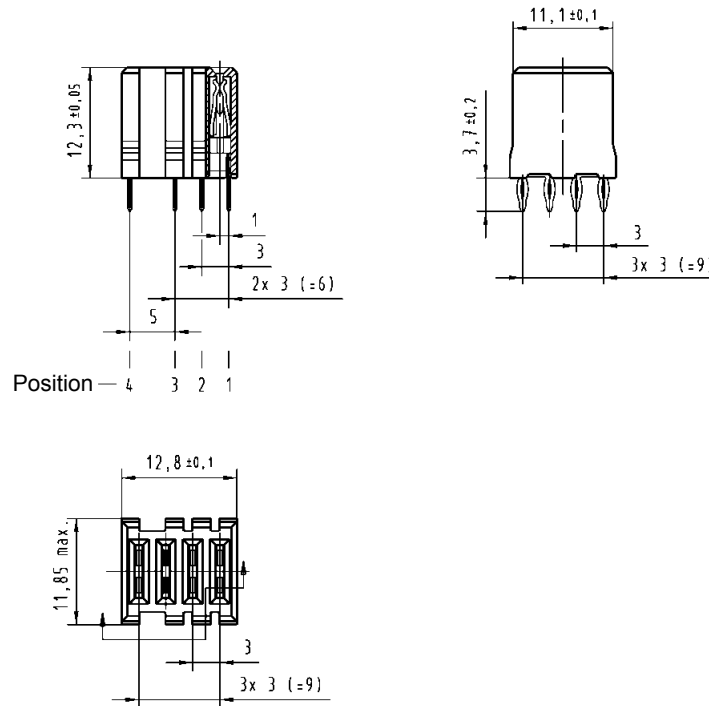




Female connector straight, with press-in termination

Identification	Number of contacts	Contact length [mm] termination side	Part number
Connector	4	3.7	17 66 004 2201

Connector dimensions [mm]



Board drillings

