

Fig. 3: Typical pcb configurations

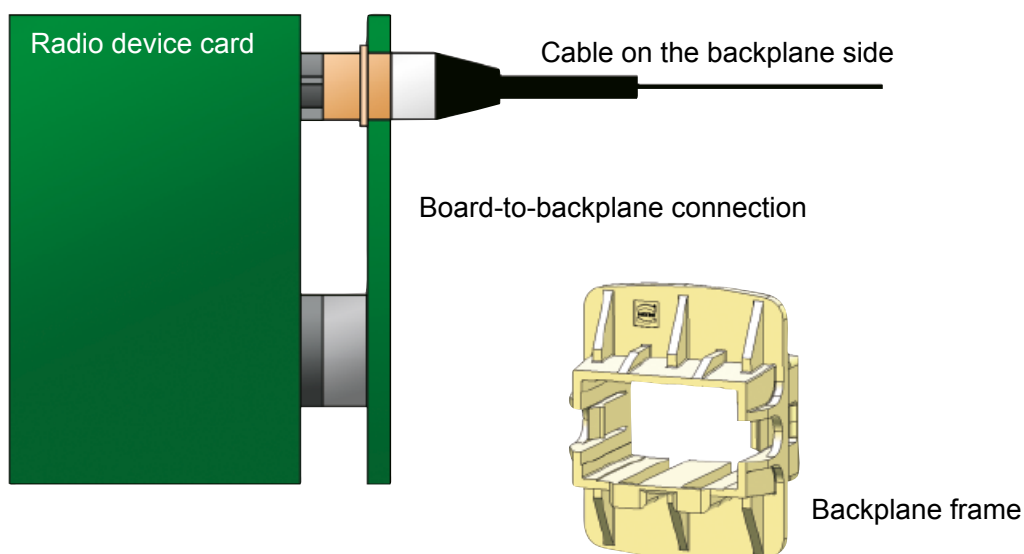


Fig. 4: Mini Coax backplane feed through