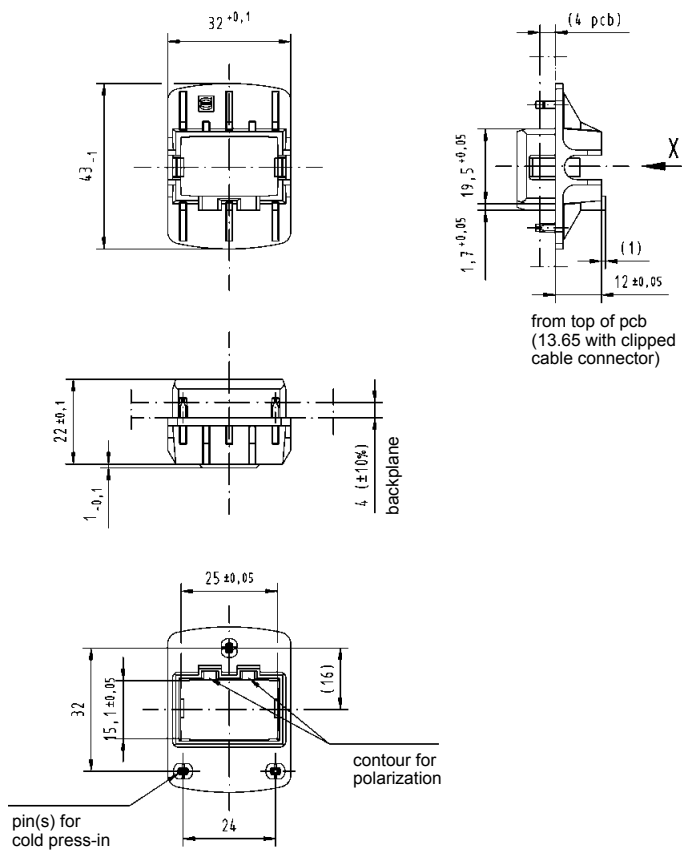


## Accessories

Identification	Part number
----------------	-------------

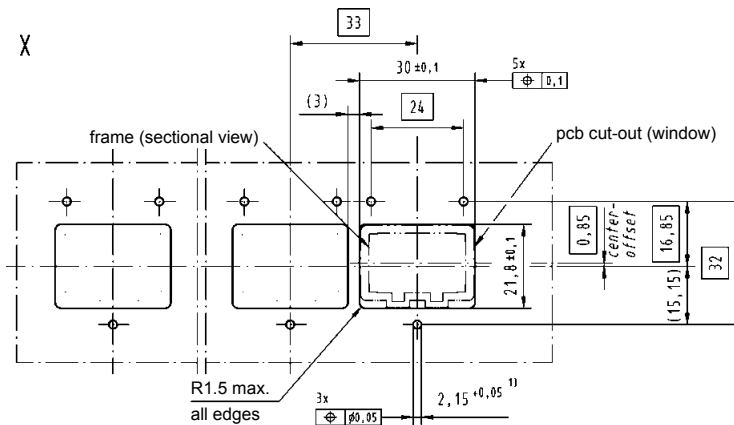
Backplane frame	07 71 100 0042
-----------------	----------------

## Dimensions [mm]



from top of pcb  
(13.65 with clipped  
cable connector)

## Board drillings



<sup>1)</sup> Non-metallized drillings