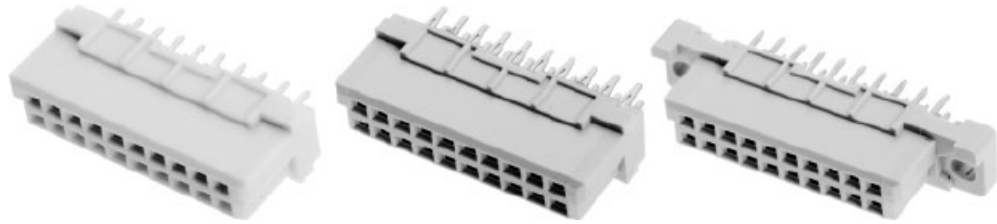


Number of contacts

20



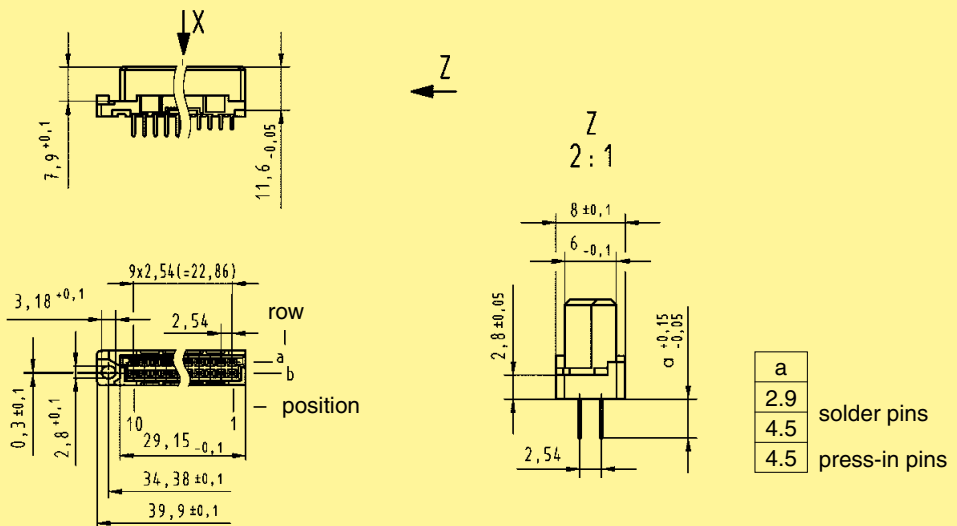
Female connectors

| Identification | Number of contacts | Contact arrangement | Part No. | Performance levels according to IEC 60 603-2. | | |
|--|--------------------|---------------------|--------------------------------|---|--|--------------------------------|
| | | | | 3 | 2 | 1 |
| Female connector with solder pins 2.9 mm | 20 | | | | 09 24 220 6824 09 24 220 6841 ^{d)} 09 24 220 6414 ^{d)} | |
| with fixing flange | | | | | | |
| with fixing flange, SMC | | | | | | |
| without fixing flange, SMC | 20 | | | | | |
| Female connector with solder pins 4.5 mm | 20 | | Performance level 3 on request | | 09 24 220 6825 | Performance level 1 on request |
| with fixing flange | | | | | | |
| Female connector with press-in pins 4.5 mm | 20 | | | | 09 24 220 6850 09 24 220 6870 | |
| with fixing flange | | | | | | |
| without fixing flange | 20 | | | | | |

DIN Signal up to 2 A

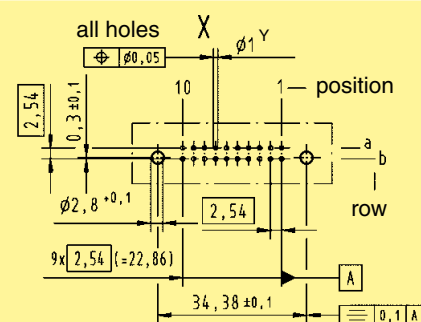
Dimensions

with fixing flange without fixing flange



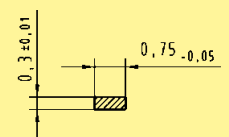
Board drillings

Mounting side



| | Y |
|----------|-------------------------------|
| Solder | 1 ± 0.1 |
| Press-in | see recommendation page 00.25 |

Cross section of solder terminations



Cross area (A) of contacts row a, b, c: A = 0.20 - 0.23 mm²

Dimensions in mm

^{d)} CTI > 400