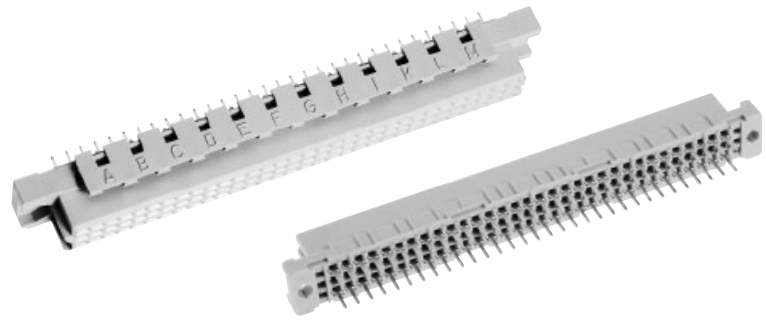


Number of contacts

96, 64, 32



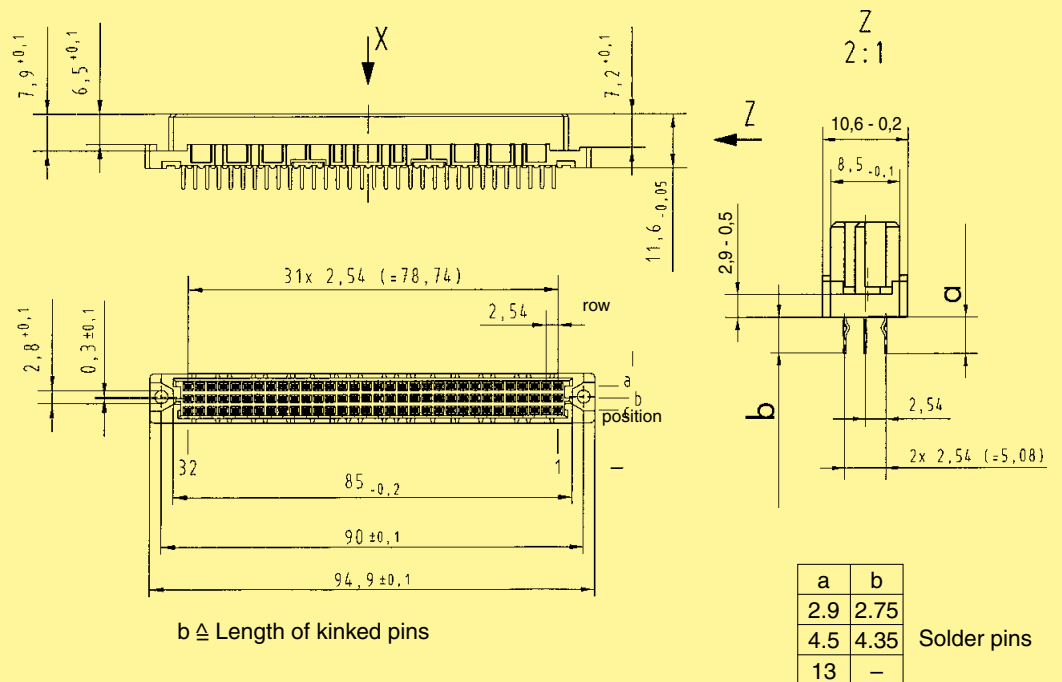
Female connectors

Identification

Drawing

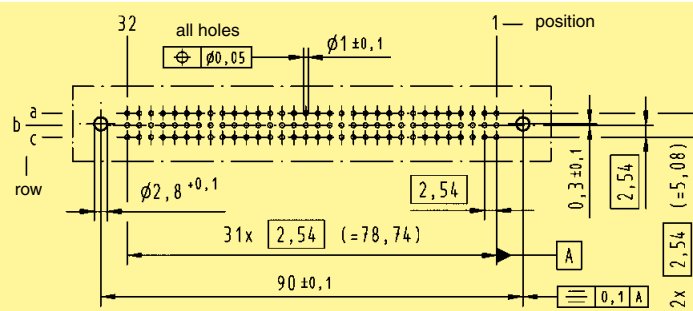
Dimensions in mm

Dimensions

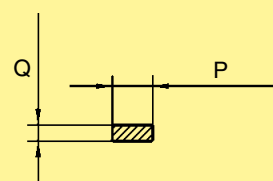


Board drillings

Mounting side



Cross section of solder terminations



Cross area (A) of contacts

a	P	Q	A
2.9	0.75 _{-0.05}	0.30 _{±0.01}	0.20 - 0.23 mm ²
4.5	0.75 _{-0.05}	0.30 _{±0.01}	0.20 - 0.23 mm ²
13	0.60 _{-0.02}	0.60 _{-0.02}	0.33 - 0.38 mm ²

Dimensions in mm

DIN Signal up to 2 A