

Coaxial contacts

Identification Part No. Performance level 1 Drawing Dimensions in mm

Male coaxial contacts for female connectors

Ⓘ for straight solder and/or crimp termination

acc. to DIN 41 626

09 03 000 6160
09 03 000 6181¹⁾

Ⓜ for angled solder and/or crimp termination

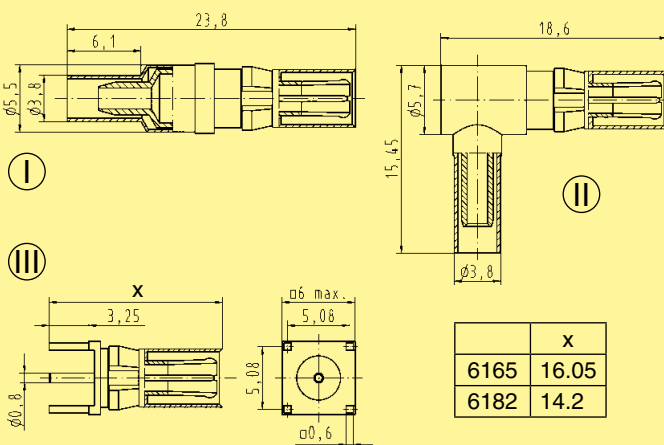
09 03 000 6161

Ⓜ for straight pcb termination for type M-flat

09 03 000 6182

for type M

09 03 000 6165



Female coaxial contacts for male connectors

Ⓥ for straight solder and/or crimp termination

09 03 000 6260
09 03 000 6281¹⁾
09 03 000 6274²⁾

Ⓥ for angled solder and/or crimp termination

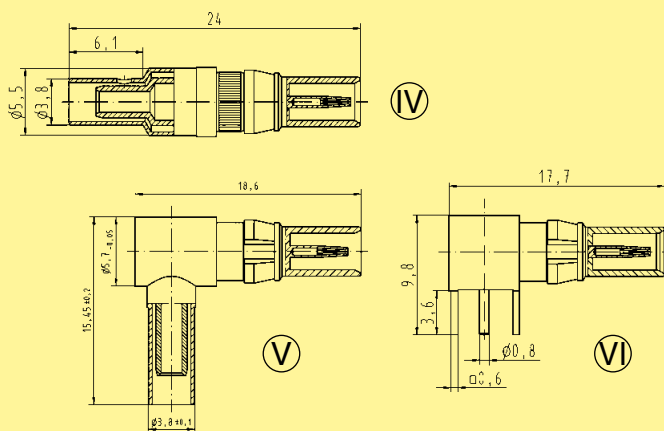
09 03 000 6261

Ⓥ angled for pcb termination

09 03 000 6262
09 03 000 6269¹⁾
09 03 000 6263²⁾

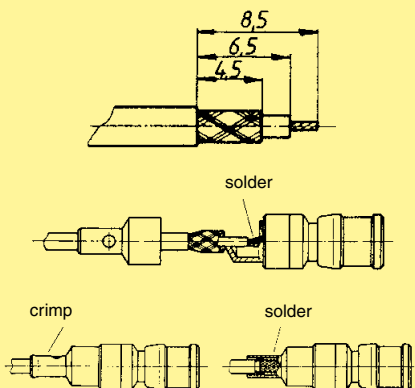
straight for pcb termination for type M inverse

09 03 000 6265



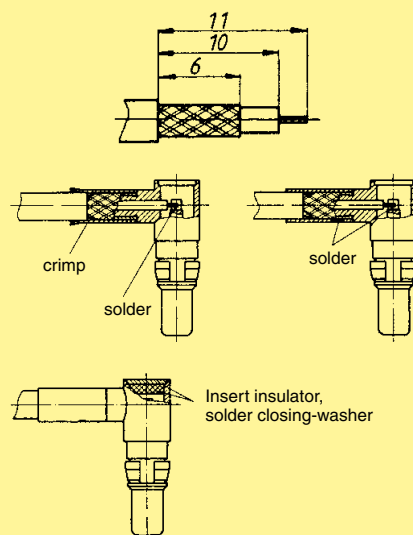
Assembly instruction for contacts

Ⓘ and Ⓥ



for contacts

Ⓜ and Ⓥ



¹⁾ Coaxial contact 75 Ω
²⁾ With knurled area for permanent fixing, not removable
Fibre optic contacts on request