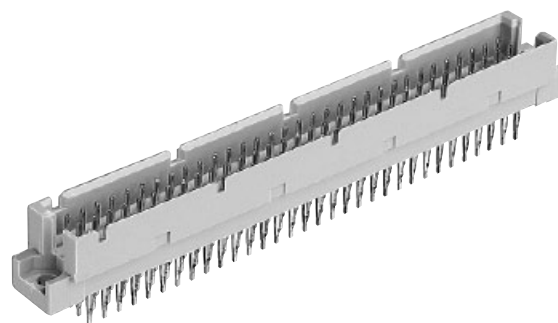


Number of contacts

96, 64



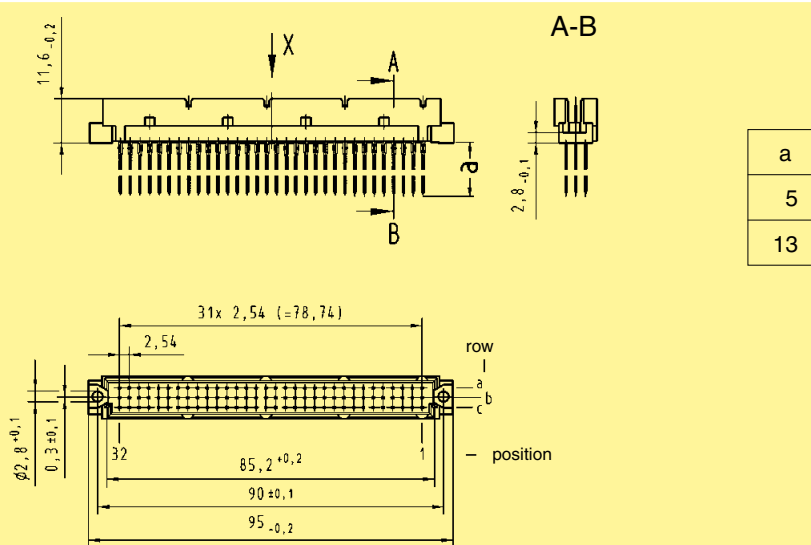
Male connectors

DIN Signal up to 2 A

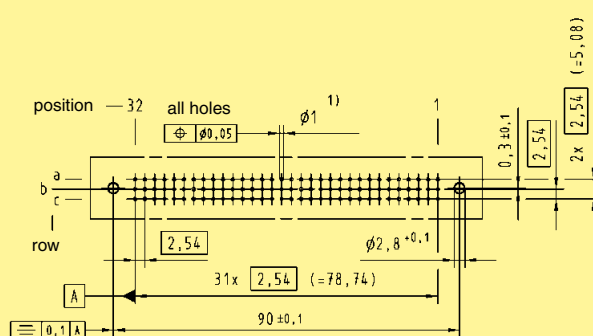
Identification Number of contacts Contact arrangement Part No. Performance levels according to IEC 60 603-2. Explanation chapter 00

			3	2	1
Male connector with press-in terminations	96		Performance level 3 on request	Performance level 2 on request	09 79 196 2950
5.0 mm	64				09 79 164 2950
13 mm	96				09 79 196 2961*

Dimensions



Board drillings
Mounting side



Dimensions in mm

* Wrap posts for interfacing selectively gold plated (performance level 1)
 1) refer to recommended configuration of pcb holes, see page 00.25

Other contact arrangements also with lagging pins on request