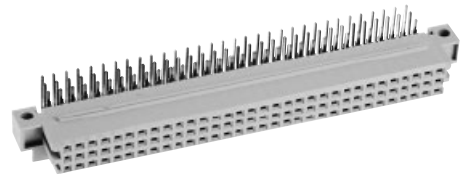


Number of contacts

# 96, 64, 32

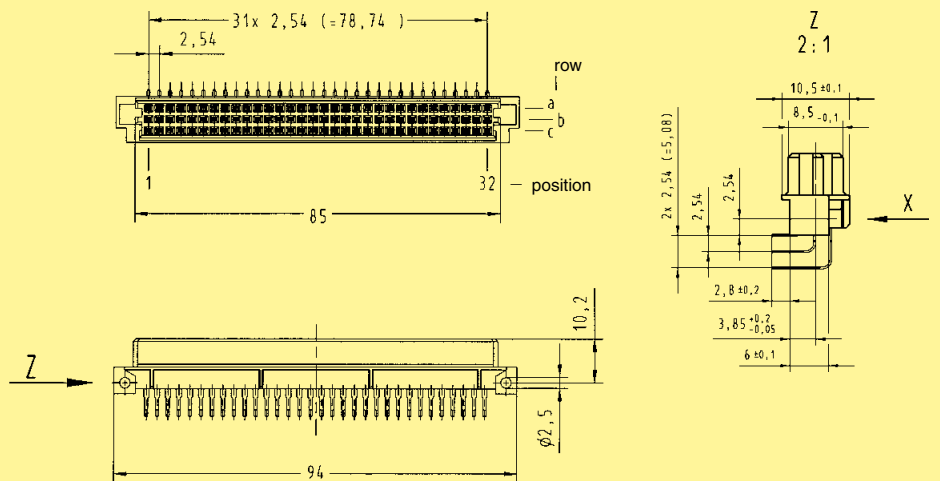


## Female connectors

Identification	Number of contacts	Contact arrangement	Part No. Performance levels according to IEC 60603-2. Explanation chapter 00		
			3	2	1
Female connector with angled solder pins	96		09 73 296 7801	09 73 296 6801 09 73 296 6801 222 <sup>f)</sup> 09 73 496 6801 <sup>b)</sup> 09 73 796 6801 <sup>c)</sup>	09 73 296 2801
			09 73 496 7801 <sup>b)</sup>	09 73 296 6804 <sup>d)</sup> 09 73 496 6804 <sup>b)d)</sup>	09 73 496 2804 <sup>b)d)</sup>
	96		09 73 264 7801 09 73 464 7801 <sup>b)</sup>	09 73 264 6801 09 73 464 6801 <sup>b)</sup>	09 73 264 2801
			09 73 264 6804 <sup>d)</sup> 09 73 464 6804 <sup>b)d)</sup>	09 73 264 2804 <sup>d)</sup> 09 73 464 2804 <sup>b)d)</sup>	
	64		09 73 232 7801	09 73 232 6801	09 73 232 2801
			09 73 232 6811		

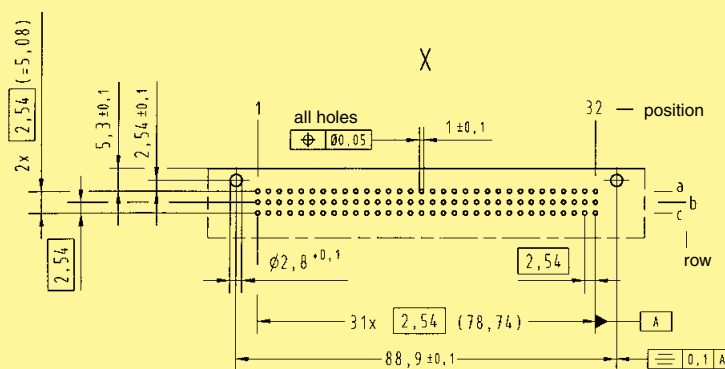
DIN Signal up to 2 A

## Dimensions

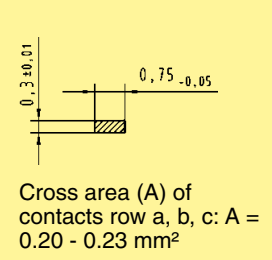


## Board drillings

Mounting side



## Cross section of solder terminations



Dimensions in mm

Other contact arrangements on request  
<sup>b)</sup> Connectors with snap-in clips see chapter 00  
<sup>c)</sup> Connectors with coding see chapter 00

<sup>d)</sup> CTI > 400  
<sup>f)</sup> Railway classification NFF 16-101, Smoke index: F1, Flammability class: I2