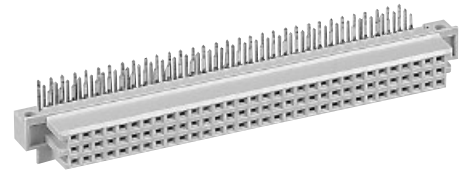


Number of contacts

96, 64

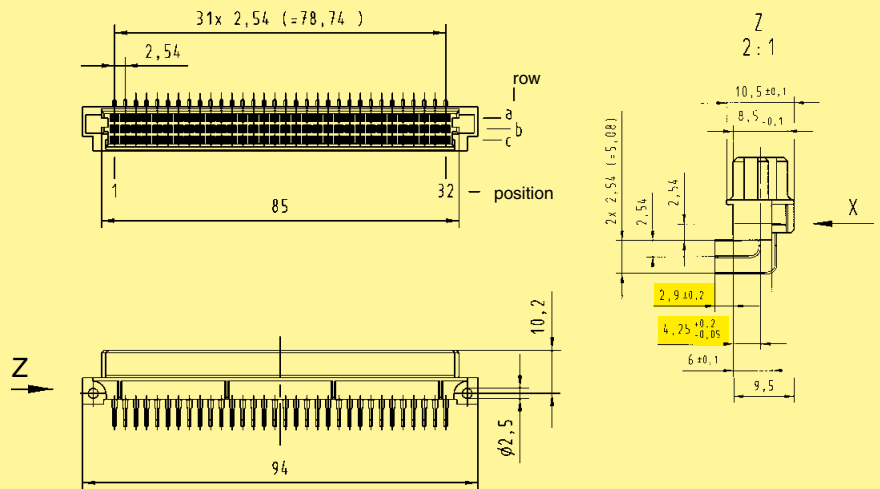


Female connectors

Identification	Number of contacts	Contact arrangement	Part No.	Performance levels according to IEC 60603-2. Explanation chapter 00		
				3	2	1
Female connector with angled solder pins	96		09 79 296 7801	09 79 296 6801 09 79 496 6801 ^{b)}	Performance level 1 on request	
	64		09 79 264 7801	09 79 264 6801 09 79 464 6801 ^{b)}		

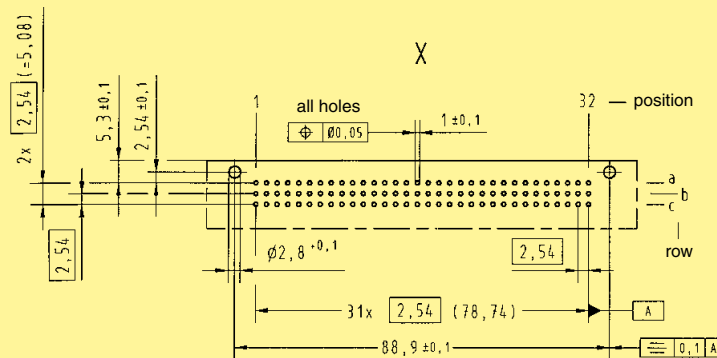
DIN Signal up to 2 A

Dimensions



Board drillings

Mounting side



Dimensions in mm

Other contact arrangements on request

^{b)} Connectors with snap-in clips see chapter 00

= deviating dimensions from standard female connectors (see page 01.49)