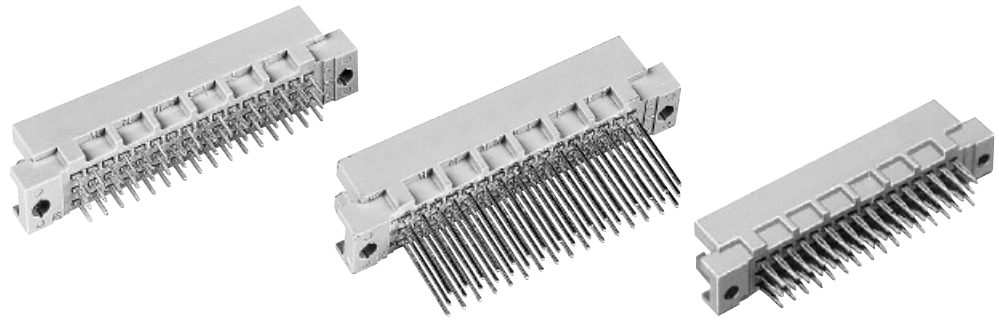


DIN 41 612 · complementary type 2R



Number of contacts

48, 32



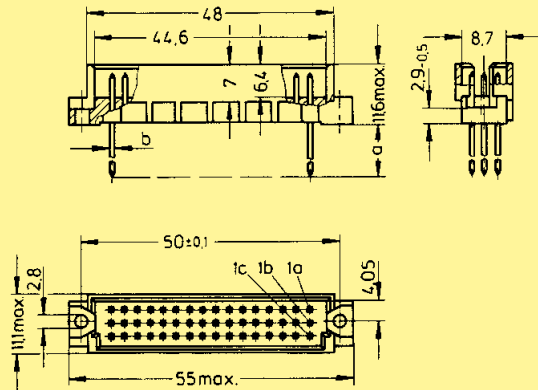
Male connectors

Identification

Drawing

Dimensions in mm

Dimensions



| a | b |
|-----|-------|
| 2.5 | ∅ 0.7 |
| 4 | ∅ 0.6 |
| 13 | ∅ 0.6 |
| 5 | — |
| 13 | — |

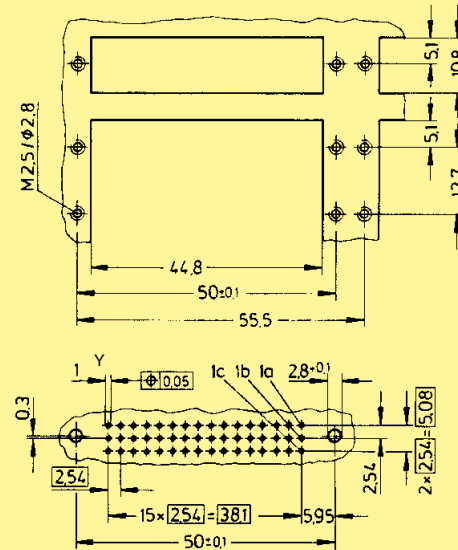
Solder pins

Wrap posts

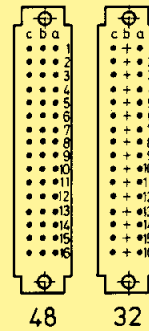
Press-in pins

Panel cut out

Board drillings
Mounting side

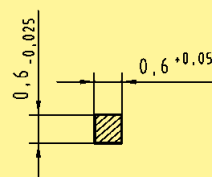


Contact arrangement
View from termination side



| | Y |
|----------|-------------------------------|
| Solder | 1 ± 0.1 |
| Press-in | see recommendation page 00.25 |

Cross section of solder terminations



Cross area (A) of contacts row a, b, c: A = 0.35 - 0.39 mm²

Other contact arrangements as well with lagging/leading pins on request

DIN Signal
up to 2 A