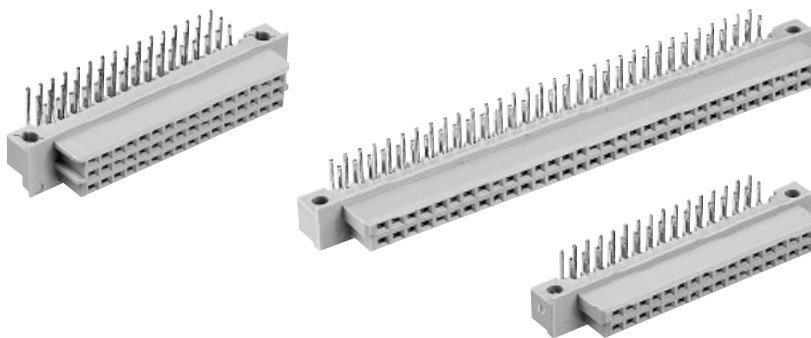


DIN 41 612 · Type Q – complementary types 2Q, 2R



Number of contacts

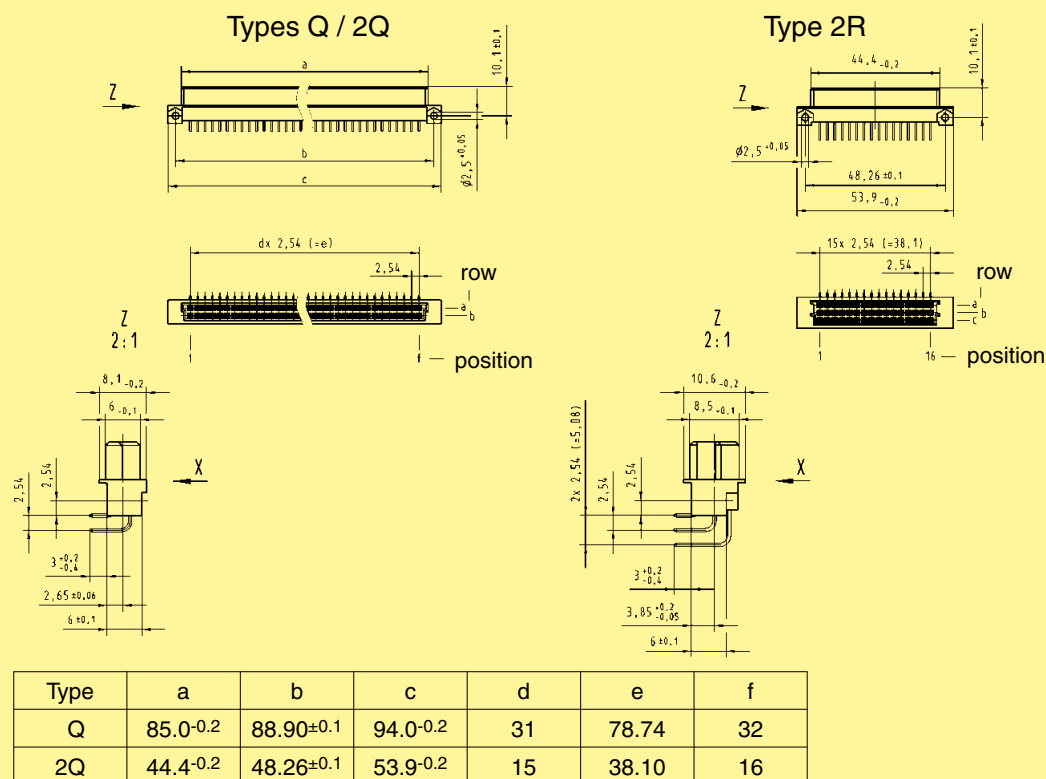
64, 48, 32



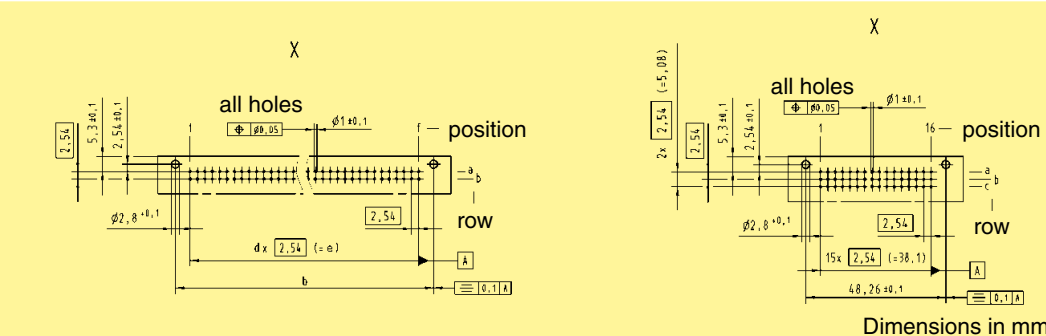
Female connectors

Identification	Number of contacts	Contact arrangement	Part No.
Female connector with angled solder pins Type Q	64		09 72 264 6801 09 72 464 6801 ^{b)}
Type 2Q	32		09 27 232 6801
Type 2R	48		09 28 248 6801 09 28 448 6801 ^{b)}

Dimensions



Board drillings
Mounting side



DIN Signal up to 2 A

01
60

Other contact arrangements on request
^{b)} Connectors with snap-in clips see chapter 00