

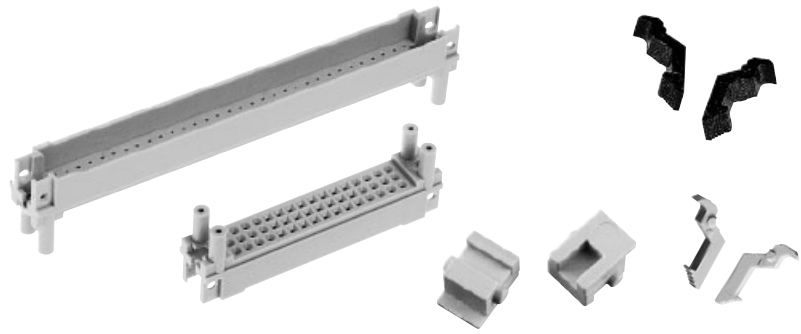
# Pin shroud



Number of contacts

# 96, 48

Pin shrouds  
for types C, 2C, R, 2R

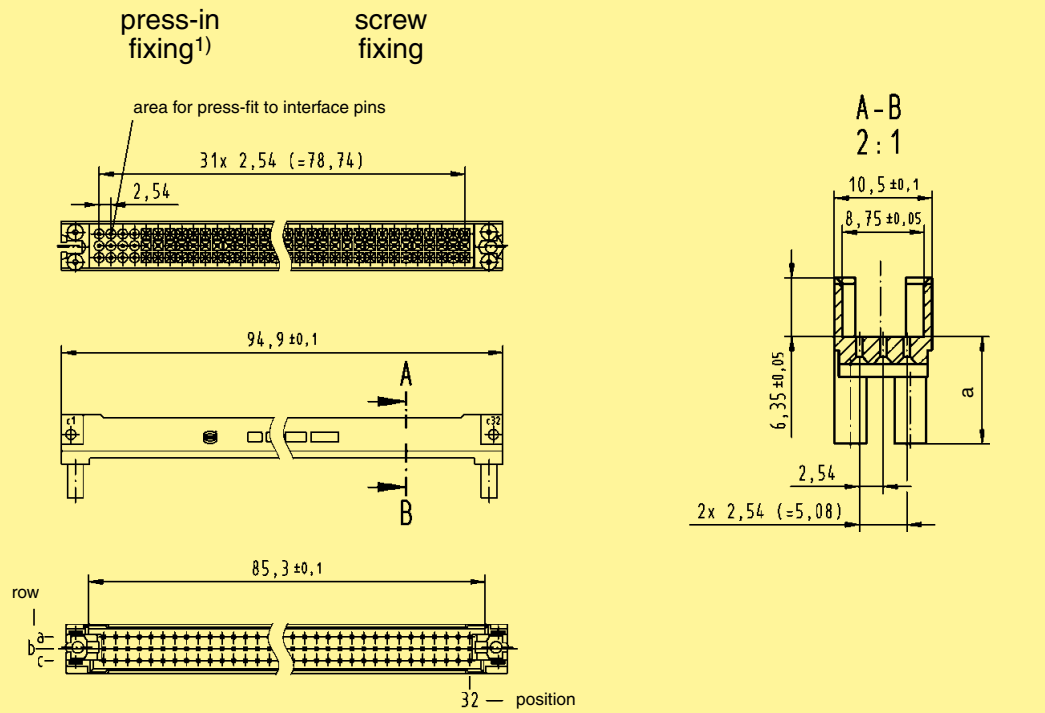


Identification

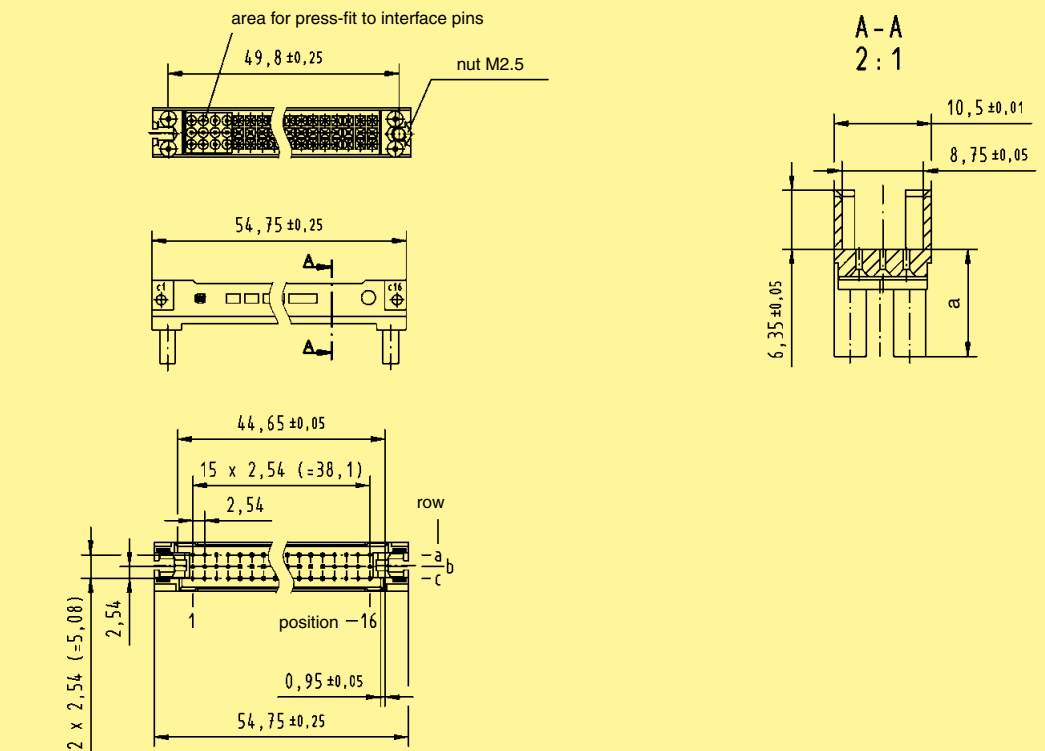
Drawing

Dimensions in mm

Pin shrouds  
for female connectors  
type C, R



Pin shrouds  
for female connectors  
type 2C, 2R



<sup>1)</sup> Tooling see chapter 30