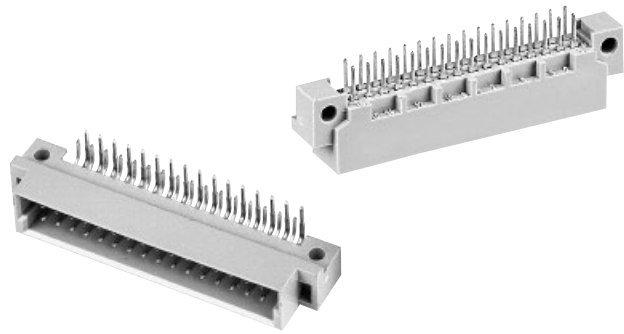


# DIN 41 612 · complementary type 2B



Number of contacts

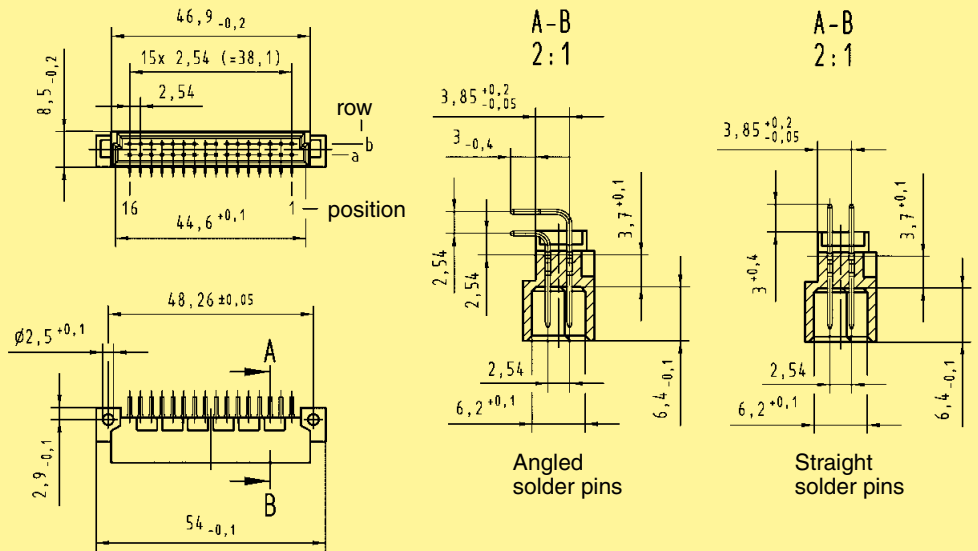
# 32, 16



Male connectors

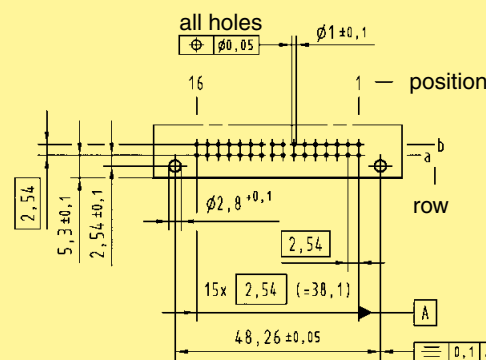
Identification	Number of contacts	Contact arrangement	Part No.	Performance levels according to IEC 60603-2. Explanation chapter 00		
				3	2	1
Male connector with angled solder pins  SMC	32		09 22 132 7921	09 22 132 6921 09 22 132 6921 222 <sup>f)</sup> 09 22 332 6921 <sup>b)</sup>	09 22 132 2921	
	32			09 22 132 6919 <sup>d)</sup> 09 22 332 6919 <sup>b)</sup> <sup>d)</sup>		
	16			09 22 116 6921		
	16			09 22 116 6931		
	30 + 2 <sup>▲</sup>			09 22 132 6951		
Male connector with straight solder pins  SMC	32		09 22 132 7922	09 22 132 6922	09 22 132 2922	
	32			09 22 132 6920 <sup>d)</sup>		

## Dimensions

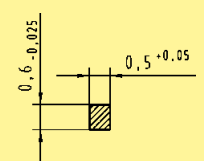


## Board drillings

Mounting side



## Cross section of solder terminations



Cross area (A) of contacts  
row a, b: A = 0.29 - 0.33 mm<sup>2</sup>

Dimensions in mm

<sup>▲</sup> Male connectors with 2 leading contacts [(0.8 mm) pos. a1 and a16]. Lagging pins on request.

<sup>b)</sup> Connectors with snap-in clips see chapter 00

<sup>d)</sup> CTI > 400

<sup>f)</sup> Railway classification NFF 16-101, Smoke index: F1, Flammability class: I2

Other contact arrangements on request