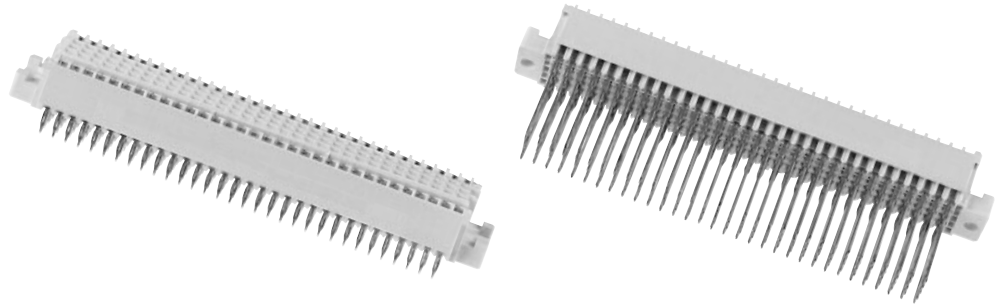


Number of contacts

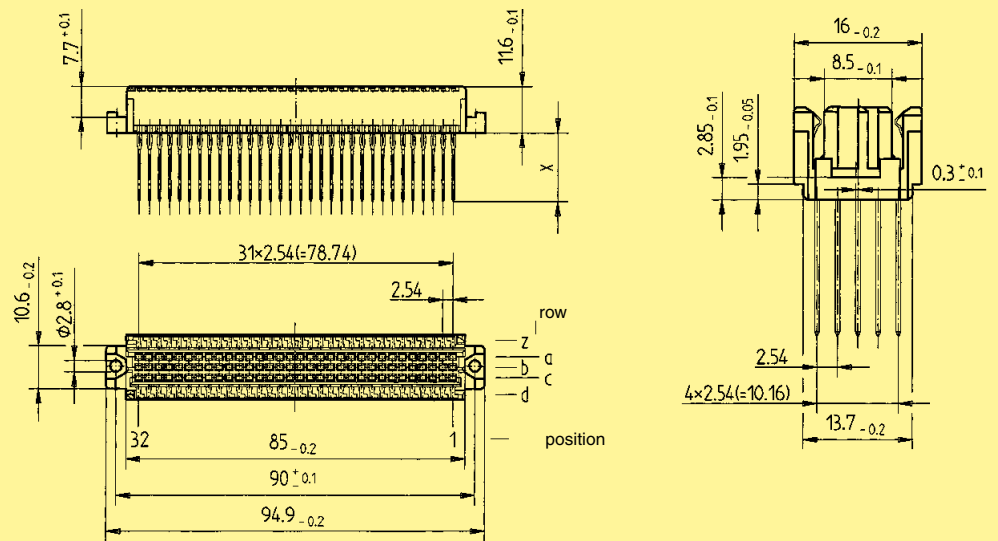
160



Female connectors

Identification	Number of contacts	Contact arrangement	Part No. Performance levels according to IEC 61 076-4-113	
			2	1
Explanation chapter 00				
Female connectors, straight ²⁾ with press-in terminations				
with 3.7 mm	160	z, a, b, c, d		02 02 160 1601
fixing flange 4.5/5 mm	160	z, a, b, c, d	02 02 160 2201	02 02 160 1201
17 mm*	160	z, a, b, c, d	02 02 160 2301	02 02 160 1301
without 5 mm	160	z, a, b, c, d	02 02 160 2202	02 02 160 1202
fixing flange 17 mm*	160	z, a, b, c, d	02 02 160 2302	02 02 160 1302

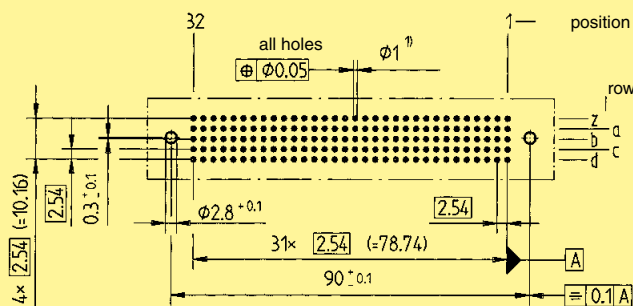
Dimensions



Part number	Dimension "X" for row				
	z	a	b	c	d
02 02 160 1601	3.7	3.7	3.7	3.7	3.7
02 02 160 2201 / 02 02 160 1201	5.0	4.5	4.5	4.5	5.0
02 02 160 2301 / 02 02 160 1301	17.0	17.0	17.0	17.0	17.0
02 02 160 2202 / 02 02 160 1202	5.0	5.0	5.0	5.0	5.0
02 02 160 2302 / 02 02 160 1302	17.0	17.0	17.0	17.0	17.0

Board drillings

Mounting side



Dimensions in mm

Tooling see chapter 30

¹⁾ Press-in technology and refer to recommended configuration of pcb holes, see page 00.25

* selectively gold-plated