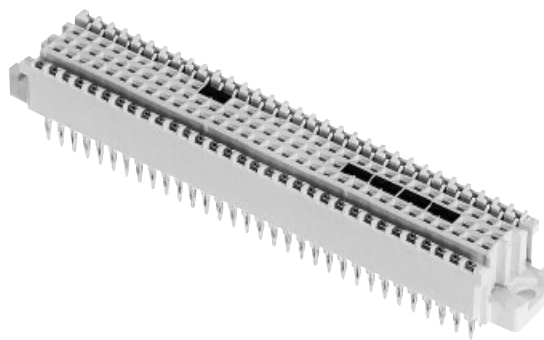


Number of contacts

160



Female connectors

Identification Number of contacts Contact arrangement Part No. Performance level 2 according to IEC 61076-4-113 Explanation chapter 00

Female connectors, straight with switches²⁾

with press-in terminations

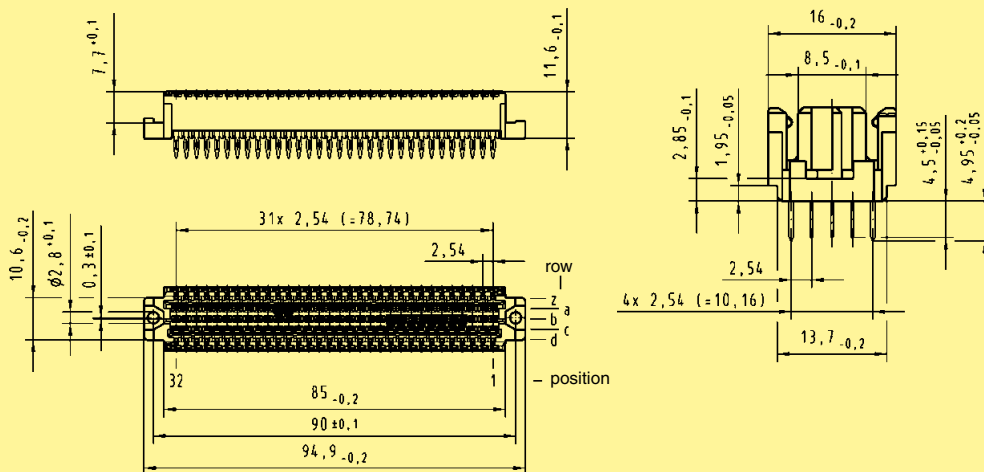
with flange 4.5/5 mm

160

z, a, b, c, d

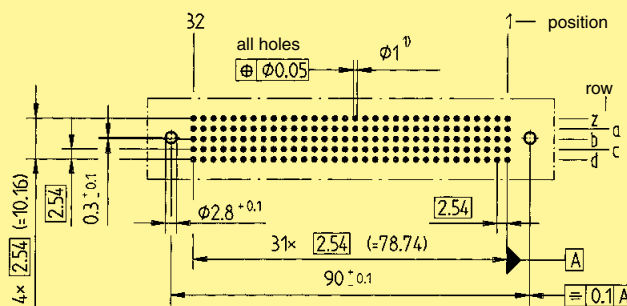
02 03 160 2201

Dimensions



Board drillings

Mounting side



Dimensions in mm

Tooling see chapter 30

¹⁾ Press-in technology see page 00.25

²⁾ Switching elements at positions a21-22, b4-5, b6-7, b8-9 and b10-11