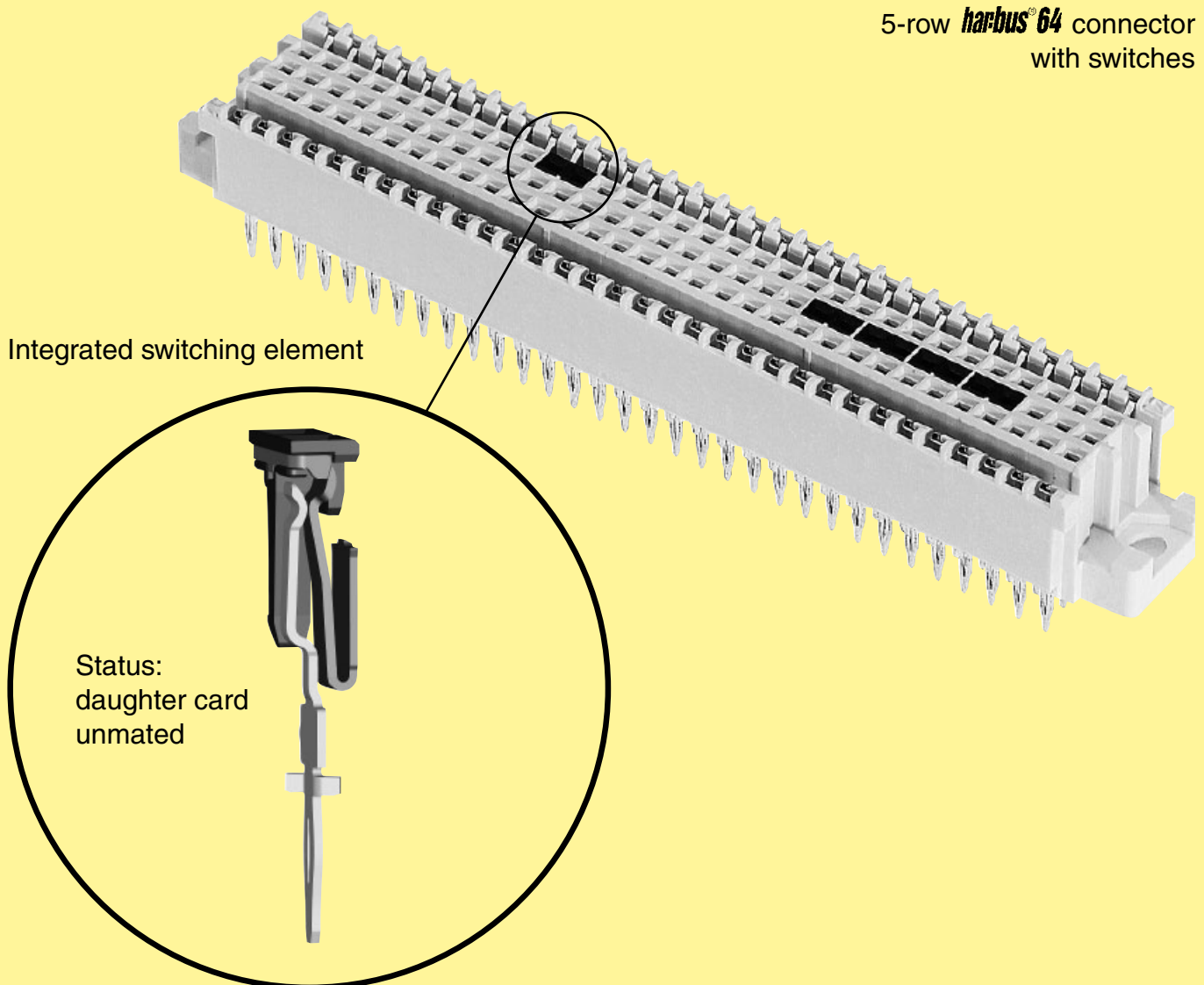


5-row *har-bus*[®] 64 connector
with switches



Advantages:

- Passive backplane; no active components assembled
- No additional space required, due to integrated switching function inside the connector
- No jumpers on the backplane
- User friendly regarding maintenance and repairing
- Automatically daisy-chaining through mating/unmating the daughter card
- High MTBF value
- No additional, manual bridging necessary
- Less assembly cost, no special tooling required

MEMBER
VITA
Open Standards, Open Markets

VMEbus
Technology™