

Number of contacts

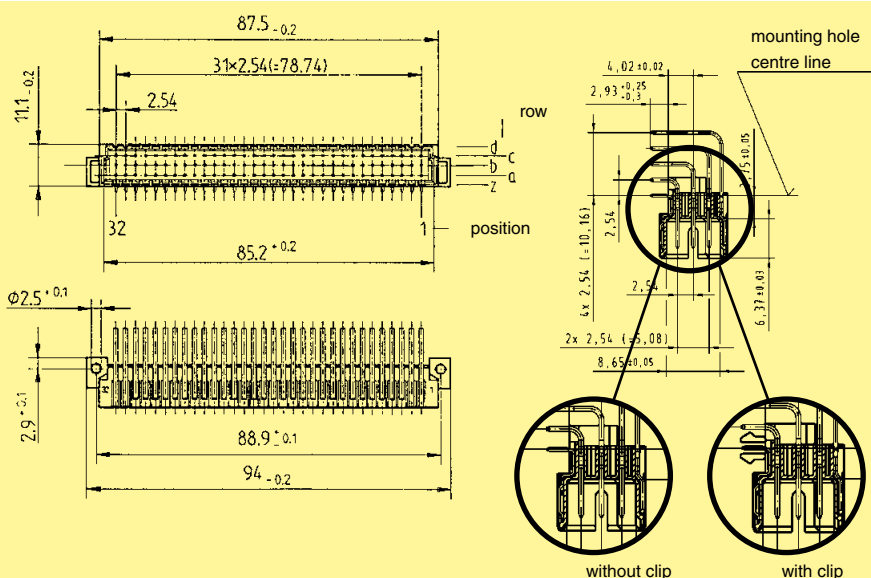
160



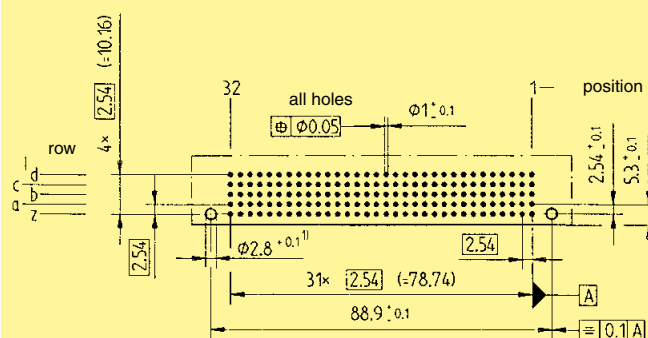
Male connectors, angled, SMC compatible

Identification	Number of contacts	Contact arrangement	Part No. Performance levels according to IEC 61076-4-113 Explanation chapter 00	
			2	1
Male connector* without retention clip	160	z, a, b, c, d	02 01 160 2101	02 01 160 1101 02 01 160 1105 ²⁾
with retention clip	160	z, a, b, c, d	02 01 160 2102	02 01 160 1102 02 01 160 1106 ²⁾

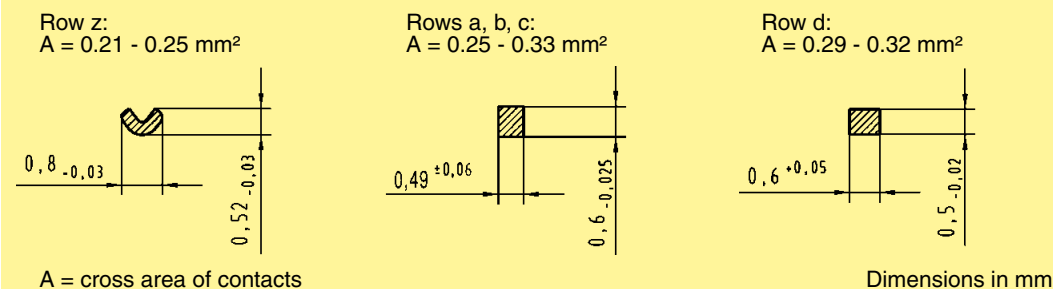
Dimensions



Board drillings Mounting side



Cross section of solder terminations



* Pre-leading contacts at positions d1, d2, d31 and d32

¹⁾ Recommendation for variants with clip: Drillings can be enlarged up to 3.1 mm Ø to reduce standard mounting force (see chapter 00)

²⁾ Special variant with min. 1.27 µm (50 µinch) Au and SnPb on termination