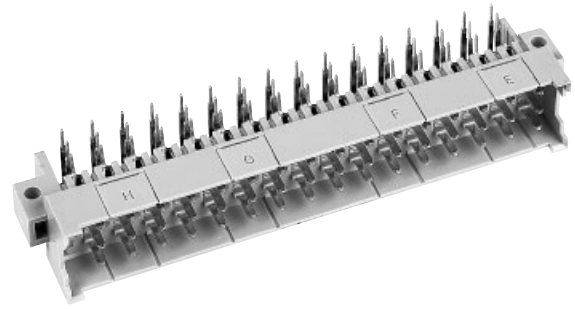


Number of contacts

# 48, 32

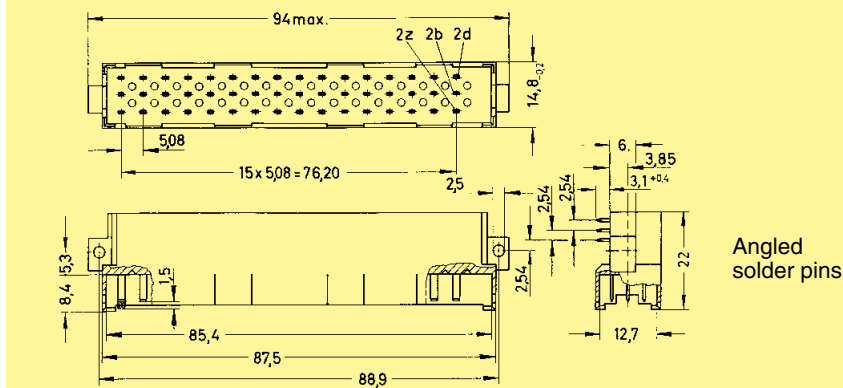


Male connectors

Identification	Number of contacts	Contact arrangement	Part No. Performance levels according to IEC 60603-2. Explanation chapter 00		
			3	2	1
Male connector with angled solder pins <sup>1)</sup>	48		09 06 148 7901	09 06 148 6901 09 06 148 6901 222 <sup>f)</sup> 09 06 348 6901 <sup>b)</sup> 09 06 348 6901 222 <sup>b)f)</sup>	09 06 148 2901 09 06 148 2901 222 <sup>f)</sup>
			SMC	09 06 148 6951 <sup>d)</sup> 09 06 348 6951 <sup>b)d)</sup>	09 06 348 2951 <sup>b)d)</sup>
	32		09 06 132 7901 09 06 332 7901 <sup>b)</sup>	09 06 132 6901 09 06 132 6901 222 <sup>f)</sup>	09 06 132 2901
			09 06 132 7931	09 06 132 6931 09 06 132 6931 222 <sup>f)</sup> 09 06 332 6931 <sup>b)</sup>	09 06 132 2931 09 06 332 2931 <sup>b)</sup>
	47 + 1			09 06 148 6921 09 06 348 6921 <sup>b)</sup>	09 06 148 2921
	31 + 1		09 06 132 7921	09 06 132 6921	09 06 132 2921
	2 leading contacts (positions b 2 + b 32)	46 + 2		09 06 148 6925 09 06 148 6925 222 <sup>f)</sup>	09 06 148 2925

DIN Power up to 6 A

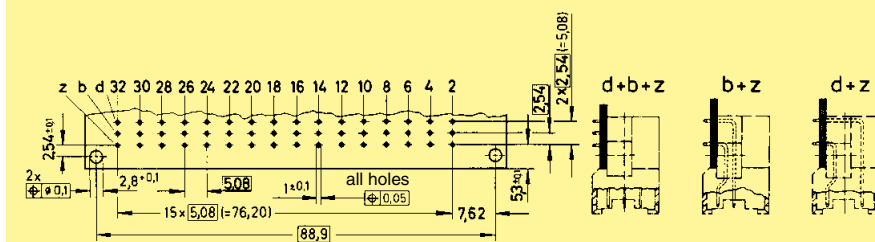
## Dimensions



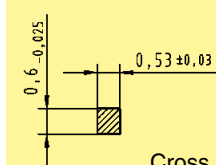
Angled solder pins

## Board drillings

Mounting side



## Cross section of solder terminations



Cross area (A) of contacts row z, b, d:  $A = 0.29 - 0.34 \text{ mm}^2$

Dimensions in mm

1) With shroud coding, see also chapter 00  
 b) Connectors with snap-in clips see chapter 00  
 d) CTI > 400  
 f) Railway classification NFF 16-101, Smoke index: F1, Flammability class: I2