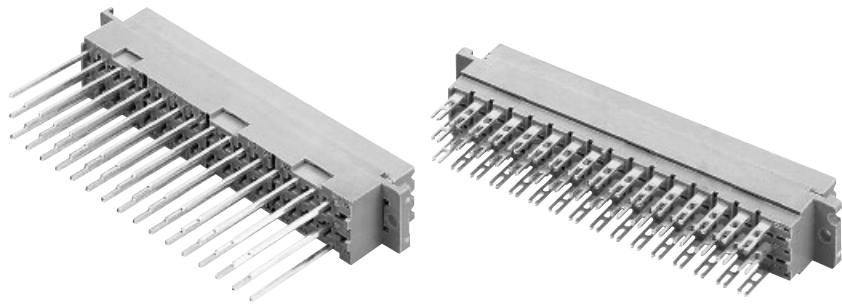


Number of contacts

48, 32

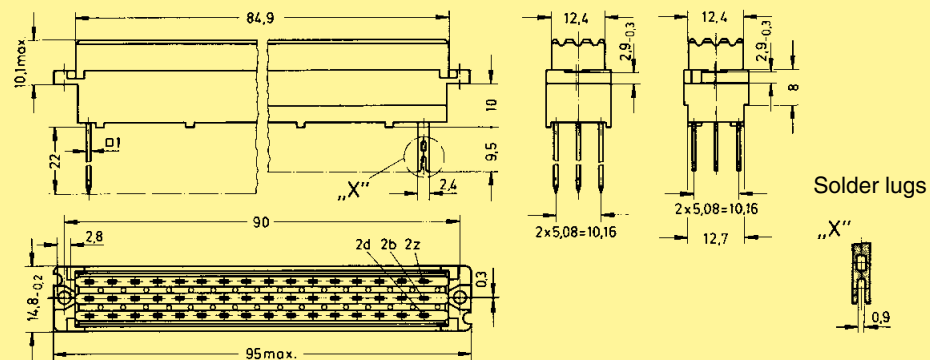


Female connectors

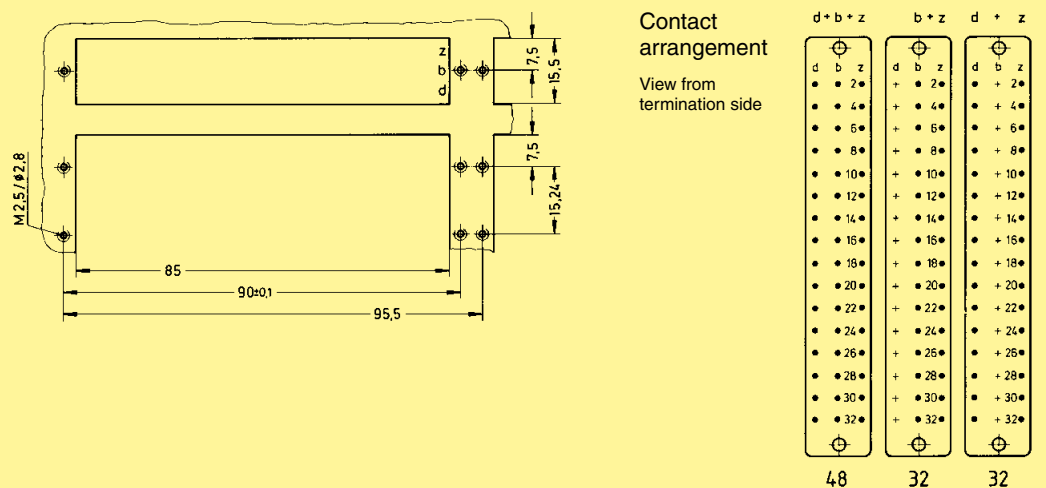
Identification	Number of contacts	Contact arrangement	Part No. Performance levels according to IEC 60 603-2. Explanation chapter 00		
			3	2	1
Female connector with wrap posts 22 mm	48		09 06 248 7821	09 06 248 6821 09 06 248 6821 222 ^{f)}	09 06 248 2821 09 06 248 2821 222 ^{f)}
	32		09 06 232 7821	09 06 232 6821	09 06 232 2821
	32		09 06 232 7831	09 06 232 6831	09 06 232 2831
Female connector with solder lugs open solder lug 	48		09 06 248 7823	09 06 248 6823	09 06 248 2823
	32		09 06 232 7823	09 06 232 6823	09 06 232 2823
	32		09 06 232 7843	09 06 232 6843 09 06 232 6843 222 ^{f)}	09 06 232 2843

DIN Power up to 6 A

Dimensions



Panel cut out



Dimensions in mm