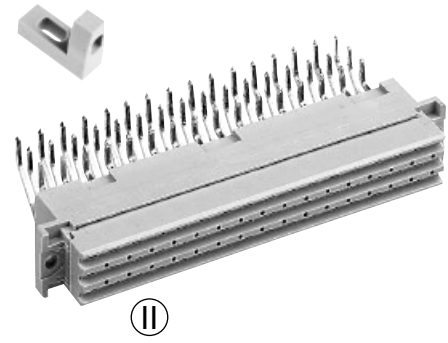
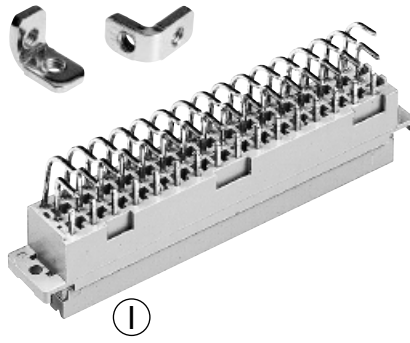


Number of contacts

48, 32

Female connectors



Identification	Number of contacts	Contact arrangement	Part No.	Performance levels according to IEC 60 603-2. Explanation chapter 00		
				3	2	1
Female connector with angled solder pins 1 x 1 mm	48		Performance level 3 on request	09 06 248 6826	09 06 232 6826	Performance level 1 on request
	32					
	48					
	32					
	32					
	32					
Dimensions						
Fixing bracket		Metal	09 06 000 9912 ¹⁾	for version		
		Plastic	09 06 000 9975 ¹⁾	for version		
Board drillings Mounting side						

DIN Power up to 6 A