

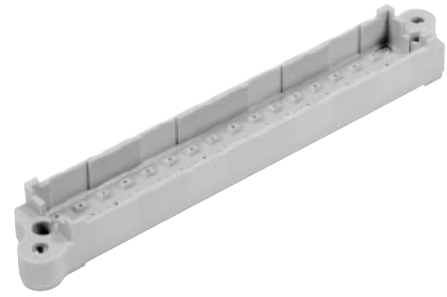
Pin shroud



Number of contacts

48

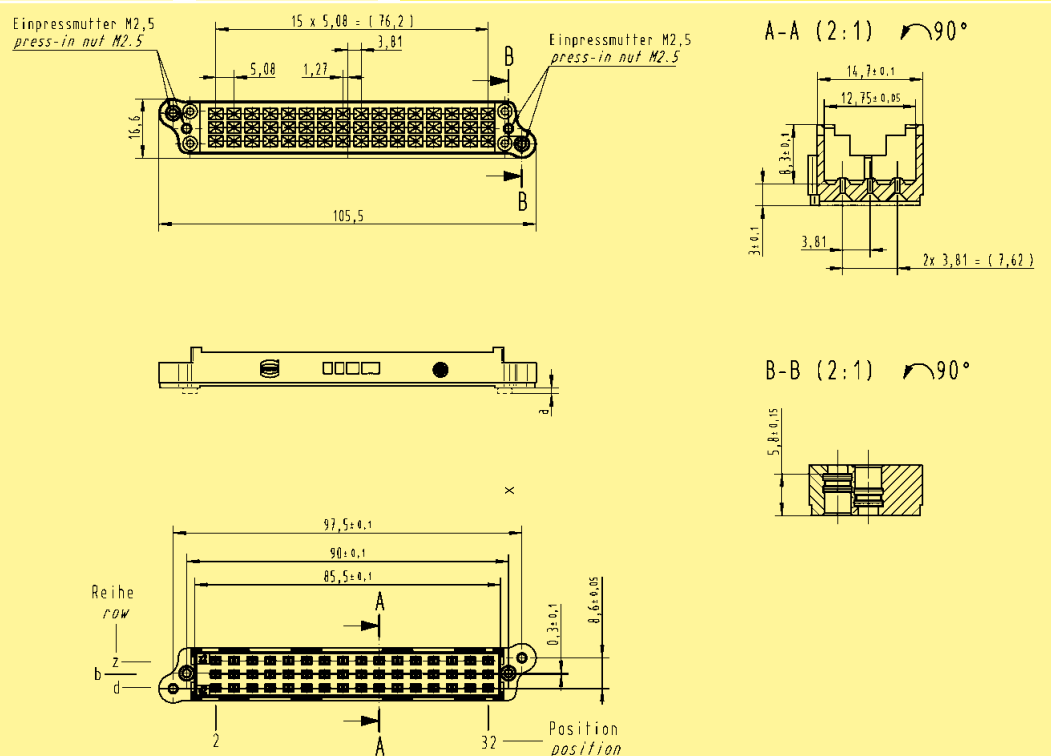
Pin shrouds
for type F "low profile"
with press-in pins 13 mm



Identification	pcb-thickness ± 10 %	Dimension X ± 0.1	Part No.
Pin shrouds suitable for shell housing D20			
without locking levers with press-in nuts	1.6 - 2.4	1.6	09 06 002 9922
without locking levers with press-in nuts	3.2 - 4.0	0	09 06 002 9921

DIN Power
up to 6 A

Dimensions



Dimensions in mm