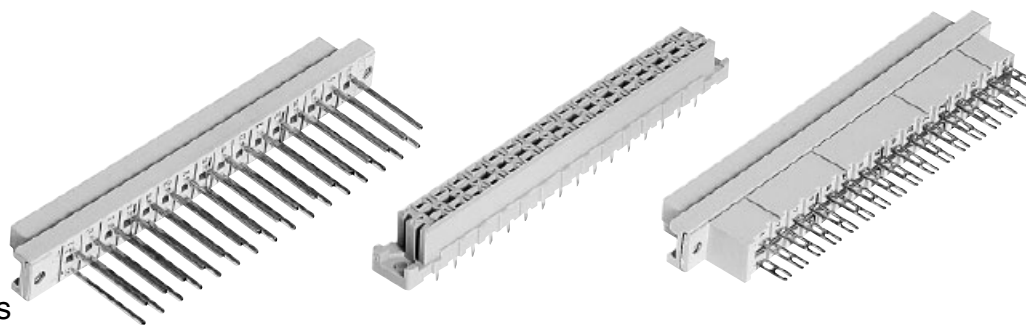


Number of contacts

32

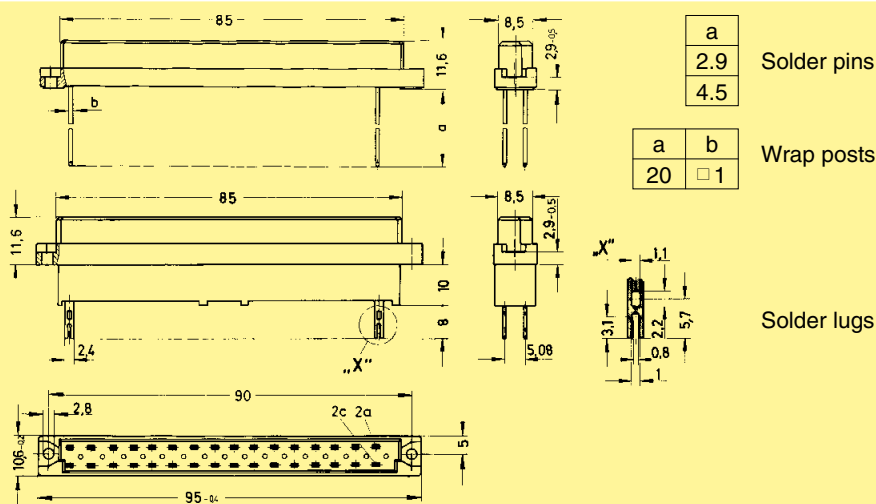


Female connectors

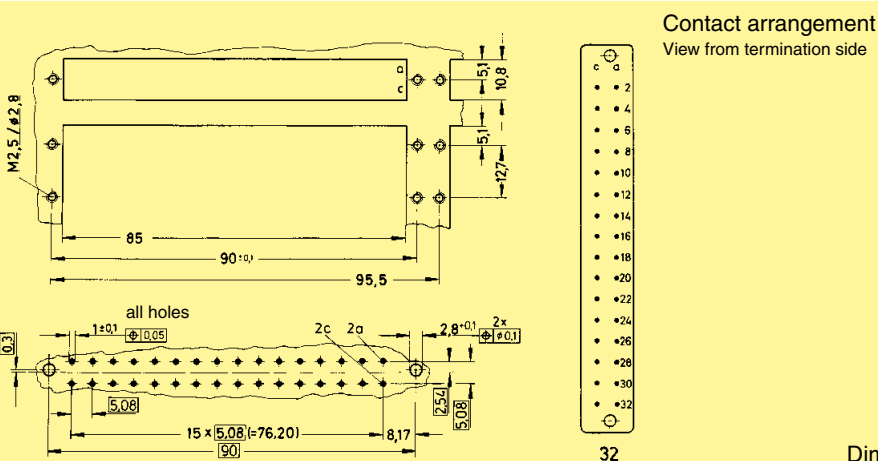
DIN Power
up to 6 A

Identification	Number of contacts	Contact arrangement	Part No.	Performance levels according to IEC 60603-2. Explanation chapter 00
			3	2 1
Female connector with solder pins 2.9 mm	32		09 04 232 7832	09 04 232 6832 09 04 732 6832 ^{e)}
Female connector with solder pins 4.5 mm	32		09 04 232 7831	09 04 232 6831 09 04 232 6831 222 ^{f)} 09 04 332 6831 ^{b)} 09 04 732 6831 ^{e)}
Female connector with wrap posts 20 mm	32		09 04 232 7821	09 04 232 6821 09 04 732 6821 ^{e)}
Female connector with solder lugs	32		09 04 232 7823	09 04 232 6823

Dimensions



Panel cut out



Board drillings

Mounting side

^{b)} Connectors with snap-in clips see chapter 00
^{c)} Connectors with coding see chapter 00

^{f)} Railway classification NFF 16-101, Smoke index: F1, Flammability class: I2