

Number of contacts

48

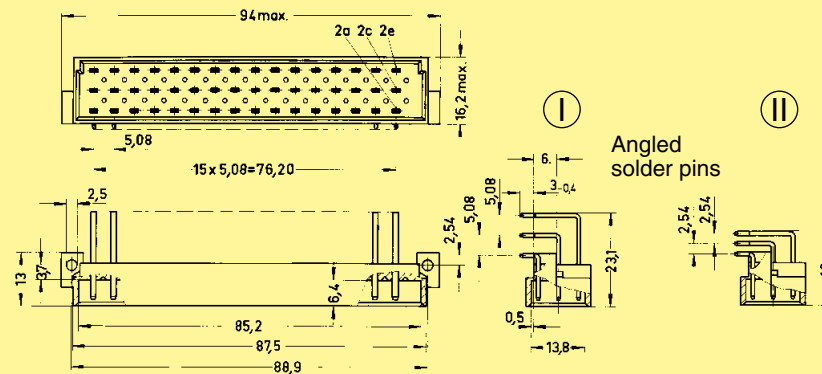


Male connectors

Identification	Number of contacts	Contact arrangement	Part No.	Performance levels according to IEC 60603-2. Explanation chapter 00		
				3	2	1
Male connector with angled solder pins Row separation termination side 5.08 mm (I)	48		09 05 148 7921	09 05 148 6921 09 05 148 6921 222 ^{f)} 09 05 348 6921 ^{b)} 09 05 648 6921 ^{c)} 09 05 848 6921 ^{b)c)}	09 05 148 2921 09 05 148 2921 222 ^{f)} 09 05 648 2921 ^{c)}	
	46 + 2 [▲]			09 05 148 6951		
	48		09 05 148 7931	09 05 148 6931 09 05 348 6931 ^{b)} 09 05 648 6931 ^{c)}	09 05 148 2931	
	SMC (II)	48			09 05 148 6920 ^{d)} 09 05 348 6920 ^{b)d)}	
		46 + 2 [▲]			09 05 148 6961	

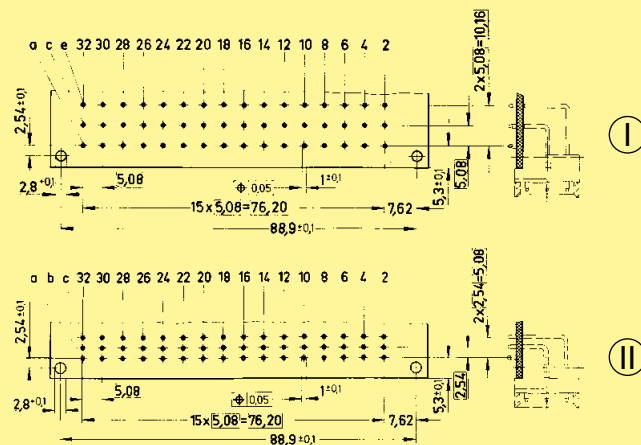
DIN Power up to 6 A

Dimensions



Board drillings

Mounting side



Dimensions in mm

▲ Male connectors with 2 leading contacts [(0.8 mm) pos. a2 and a32]
 Other contact arrangements on request
 b) Connectors with snap-in clips see chapter 00
 c) Connectors with coding see chapter 00

d) CTI > 400
 f) Railway classification NFF 16-101, Smoke index: F1, Flammability class: I2