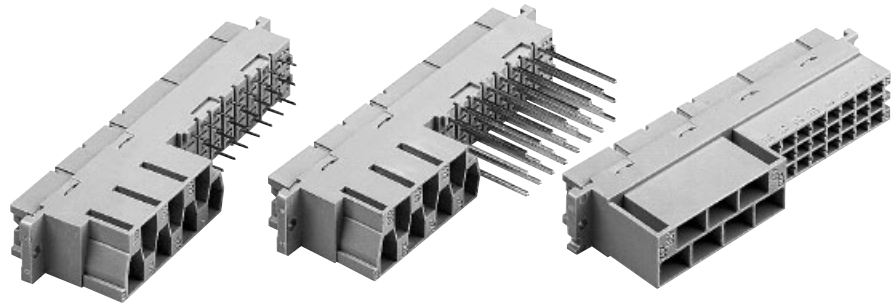


Number of contacts

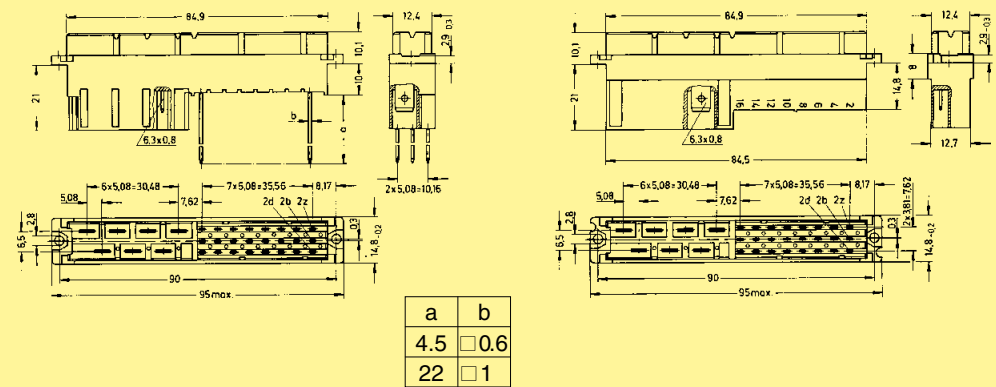
# 24 + 7

F + H

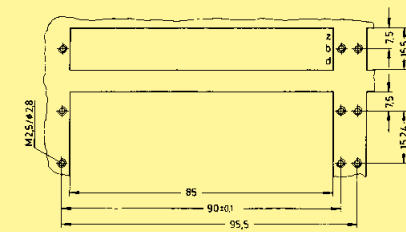


Female connectors

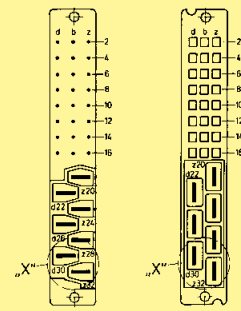
Identification	Number of contacts	Part No. Performance levels according to IEC 60 603-2. Explanation chapter 00		
		3	2	1
Female connector with solder pins 4.5 mm <sup>1)</sup>	24 + 7		09 06 231 6822 09 06 231 6822 222 <sup>1)</sup>	09 06 231 2822
Female connector with wrap posts 1 x 1 mm <sup>1)</sup>	24 + 7		09 06 231 6821	09 06 231 2821 09 06 231 2821 222 <sup>1)</sup>
Female connector for crimp contacts <sup>1)</sup> Order contacts separately, see chapter 03	24 + 7			09 06 231 2881 09 06 231 2881 222 <sup>1)</sup>



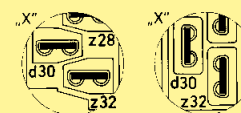
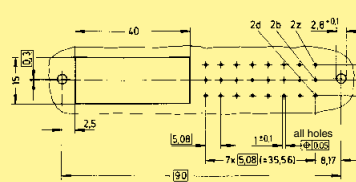
Panel cut out



Contact arrangement  
View from termination side



Board drillings  
Mounting side



Shell housing for female connector with crimp contacts see chapter 20

Dimensions in mm

DIN Power up to 15 A

<sup>1)</sup> With shroud coding, see chapter 00

<sup>1)</sup> Railway classification NFF 16-101, Smoke index: F1, Flammability class: I2