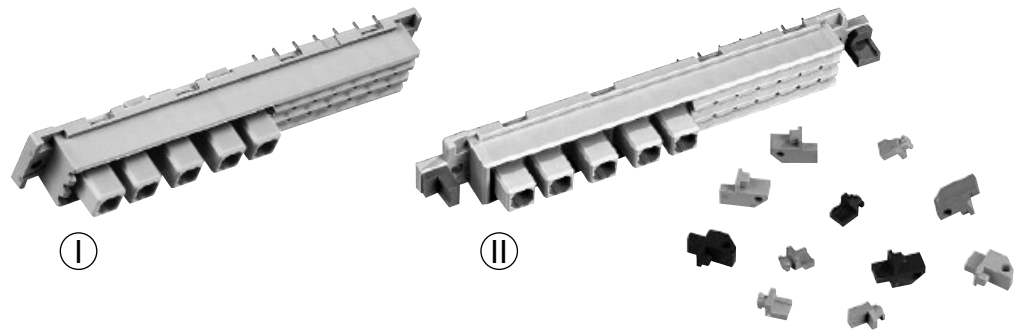


DIN 41 612 · complementary type MH



Number of contacts

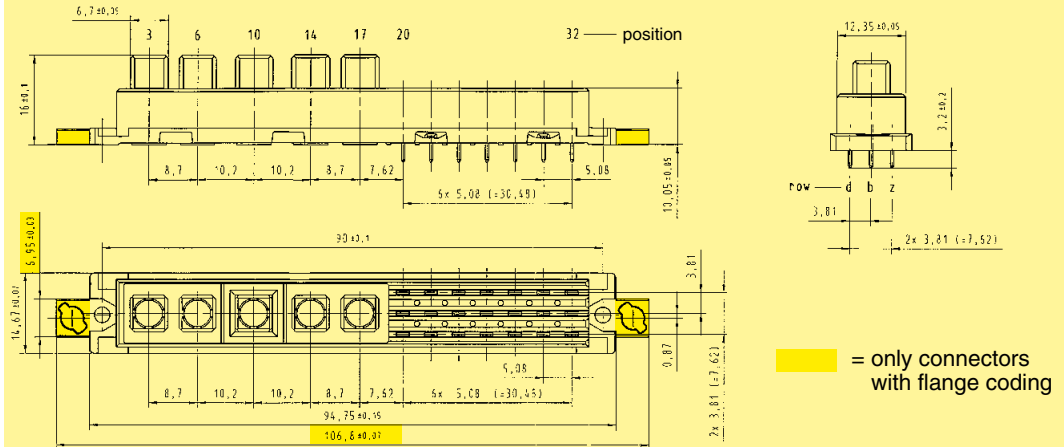
21 + 5
F + M



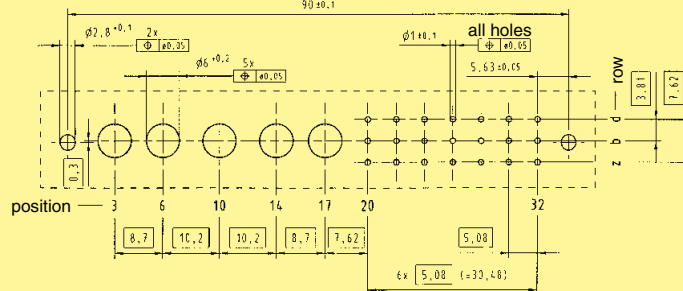
Female connectors

Identification	Number of contacts	Part No. 3	Performance levels according to IEC 60603-2. Explanation chapter 00 2	1
Female connector with solder pins 3.2 mm (without special contacts)	without flange coding (I)	Performance level 3 on request	09 06 221 6883	Performance level 1 on request
	with flange coding ¹⁾ (II)		09 06 721 6883	
High current contact Crimp contacts for printed circuit termination 20 A			09 03 000 6220	

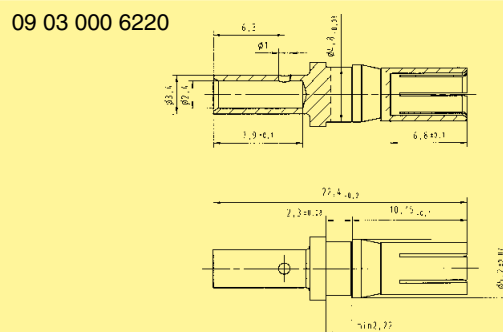
Dimensions



Board drillings Mounting side



Dimensions



Dimensions in mm

DIN Power
up to 15 A

04
25

¹⁾ Code keys see chapter 00
Removal tool for contacts is available with part number 09 99 000 0174

Further special contacts see chapter 01