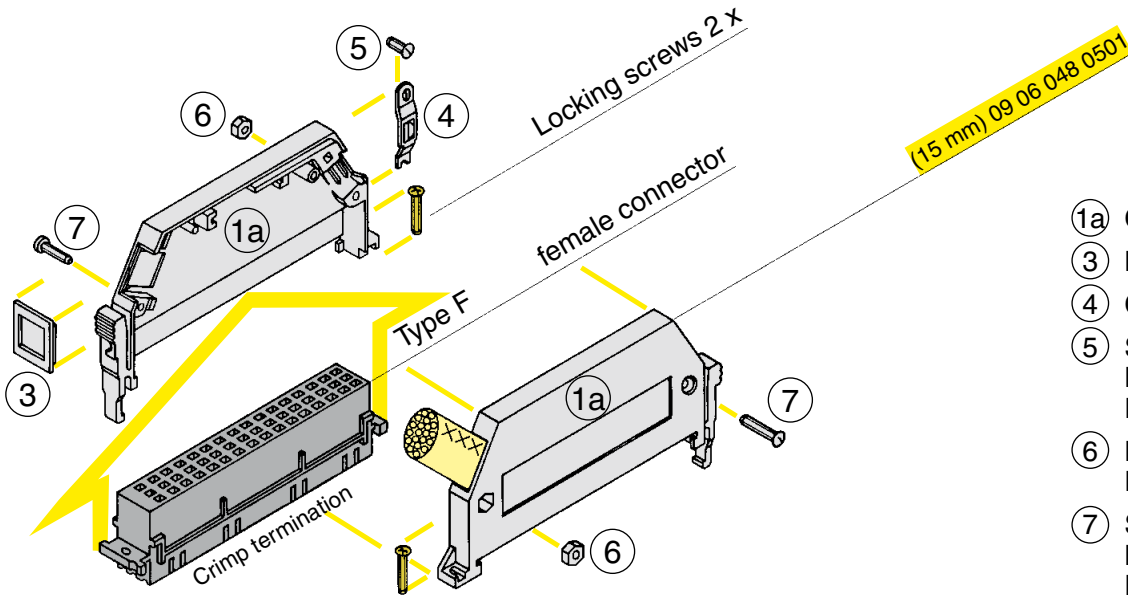
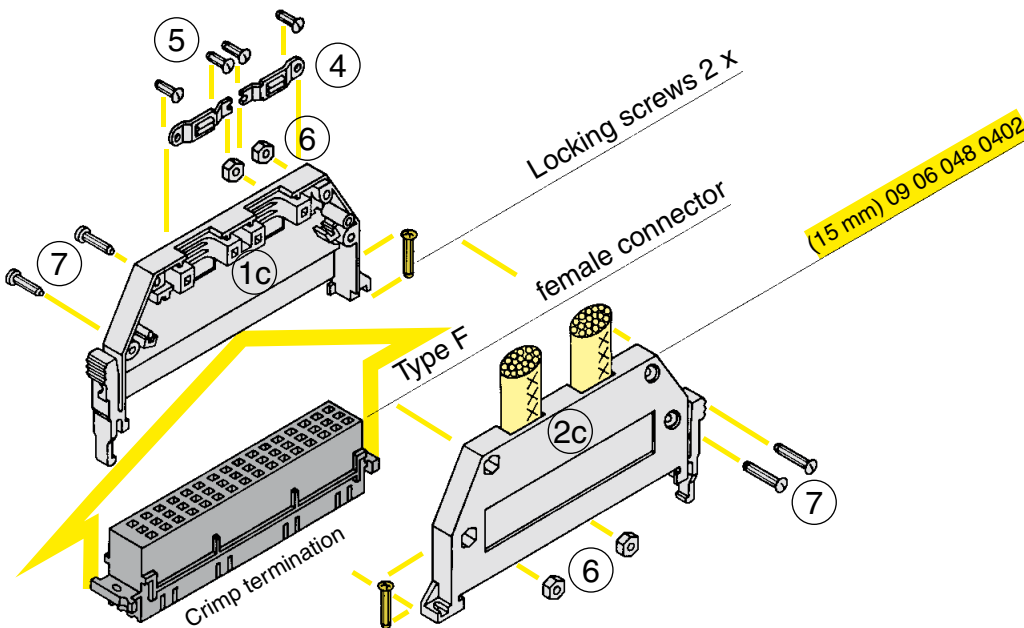


# Shell housing A for type F



- ①a Casing shell 2x
- ③ Blinding piece 1x
- ④ Cable clamp 1x
- ⑤ Screw BZ 2.9 x 9.5 DIN ISO 1481 1x
- ⑥ Hexagonal nut M3 DIN EN ISO 4032 2x
- ⑦ Screw M3 x 12 DIN EN ISO 1207 2x



- ①c Shell 1x
- ②c Cover 1x
- ④ Cable clamp 2x
- ⑤ Screw BZ 2.9 x 9.5 DIN ISO 1481 4x
- ⑥ Hexagonal nut M3 DIN EN ISO 4032 4x
- ⑦ Screw M3 x 12 DIN EN ISO 1207 4x

Shell housings

- Separate accessories for housings
- Fitting female connectors
- Cable access
- Housing parts supplied

20  
10 Moulding material: thermoplastic resin, glass-fibre filled, UL 94-V0