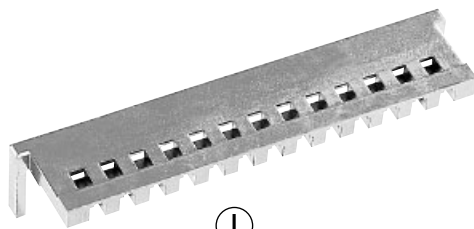
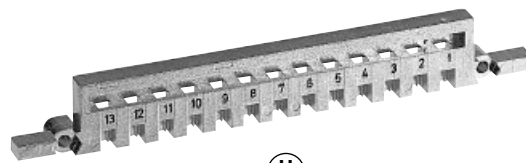


Shell housing D 20 metallised



Ⓛ



Ⓜ

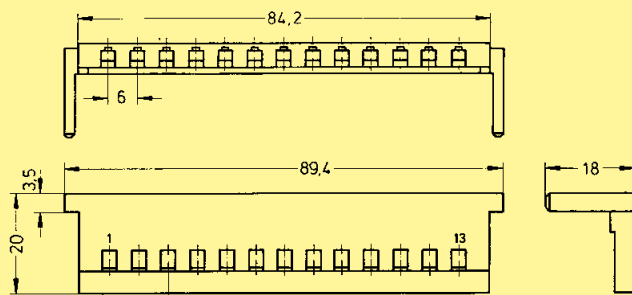
Coding

Identification Part No. Drawing Dimensions in mm

Metallised code comb for shell housing³⁾
(can also be used as blanking cover)

Ⓛ

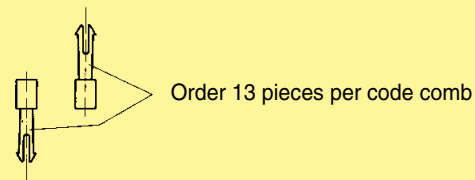
09 06 900 9984¹⁾



Code pin³⁾

09 06 001 9905¹⁾

¹⁾ Order 13 pieces per code comb



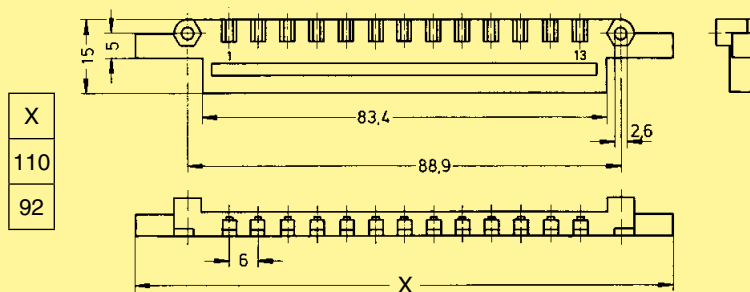
Metallised code comb for male connector³⁾

Ⓜ

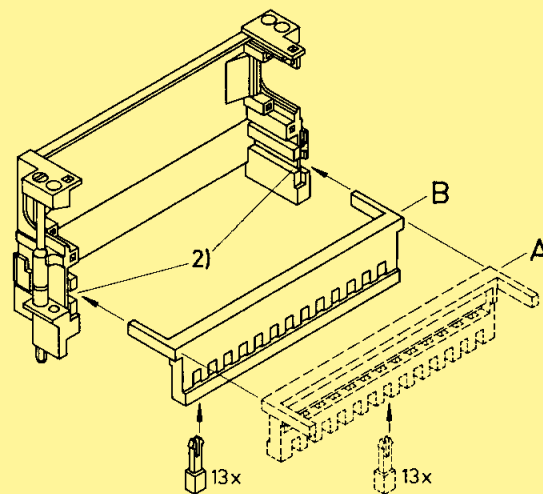
09 06 900 9985¹⁾

09 06 901 9985¹⁾

short version for a full metal locking lever



Mounting possibilities for the code comb in shell housing D 20/2 metallised



²⁾ Use the lower slot when coding the male connector with fixing brackets

Mounting example **A** max. cable entry \varnothing 14 mm to the top, see page 20.25

Mounting example **B** max. cable entry \varnothing 14 mm to the bottom, see page 20.25

³⁾ Fits D 20/2 and D 20/4 metallised

¹⁾ Railway classification NFF 16-101, Smoke index: F1, Flammability class: I2