

# Shell housing C for types B, C, D, E and har-bus® 64



- ① Shell 1x
- ② Cover 1x
- ③ Blinding plate 1x
- ④ Cable tie 1x
- ⑤ Blinding piece 2x
- ⑥ Grounding plate 1x
- ⑦ Screw BZ 2.2 x 9.5  
DIN ISO 1481 2x
- ⑧ Screw 3x
- a) BZ 2.9 x 6.5  
DIN ISO 1482 3x
- b), c), d) BZ 2.9 x 13  
DIN ISO 1483 3x

Round cable insert

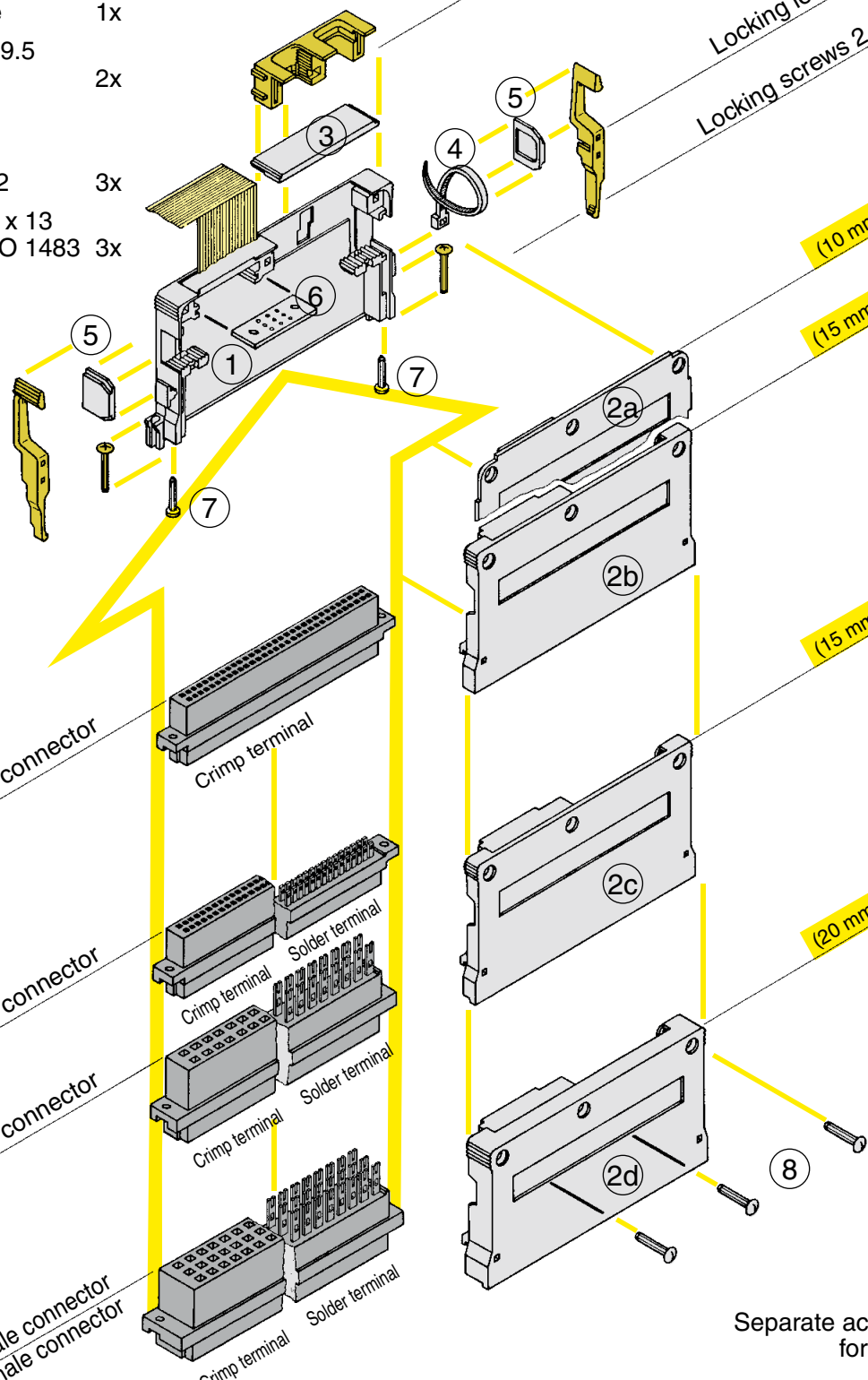
Locking levers 2 x  
Locking screws 2 x

(10 mm) 09 02 064 0501  
(15 mm) 09 02 064 0502

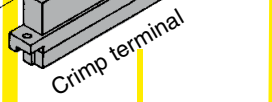
(15 mm) 09 03 096 0501

(20 mm) 09 05 048 0501

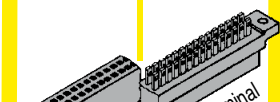
Separate accessories for housings   
Fitting female connectors   
Flat cable access   
Housing parts supplied



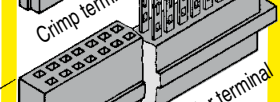
Type B female connector



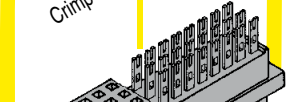
Type C female connector



Type D female connector



Type E female connector  
har-bus® 64 female connector



Shell housings