









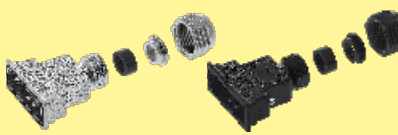



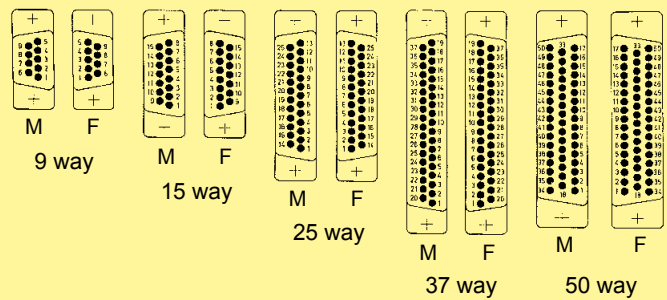
D-Sub – Waterproof subminiature D IP 67 connectors

Page

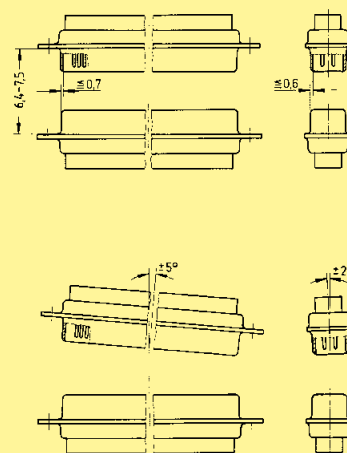
Technical characteristics		06.02
IP 67 versions with turned solder cups		06.04
IP 67 versions with turned solder cups and rear plastic mounting plate		06.06
IP 67 versions with turned solder cups and front plastic mounting plate		06.08
IP 67 versions with turned solder cups and rear metal mounting plate		06.10
IP 67 versions with turned solder cups and front metal mounting plate		06.12
IP 67 versions with straight turned solder pins, rear plastic mounting plate, spacer and board lock		06.14
IP 67 versions with straight turned solder pins, rear metal mounting plate, spacer and board lock		06.16
IP 67 versions with angled turned solder pins, rear plastic mounting plate, bracket and board lock		06.18
IP 67 versions with angled turned solder pins, rear metal mounting plate, bracket and board lock		06.20
Accessories for IP 67 connectors		06.23
IP 67 plastic hoods / IP 67 metallized plastic hoods		06.22 / 06.24
Accessories for IP 67 hoods		06.25

Number of contacts	9, 15, 25, 37, 50 UL recognized
Working current	5 A
Test voltage	1200 V for 1 minute between 2 contacts / contact and shell
Clearance and creepage	≥ 1.0 mm
Contact resistance	Straight contact ≤ 10 mΩ Angled contact ≤ 25 mΩ Angled contact 50 pole ≤ 35 mΩ
Insulation resistance	between contacts ≥ 5000 MΩ
Dielectric strength	50 kV/mm
Temperature range	-25 °C ... +70 °C
Protection	IP 67 (per DIN 40050 / IEC 529)
Termination	Solder cup max. AWG 20 Solder pin straight 0.6 mm diameter Solder pin angled 0.6 mm diameter
Material	Shell Brass, tin plated Insulator and plastic watertight frame Thermoplastic, glass-fibre filled, UL 94-V0 Metal watertight frame Nickel plated zinc die cast Contact material Machined copper alloy
Contact surface	Contact zone S4 = 0.76 μm (30 pinch) Au or PdNi equivalent
Waterproofing element	Silicone
Mechanical	Mating cycles ≥ 500 Mating force per signal contact ≤ 3.4 N Unmating force per signal contact ≥ 0.2 N

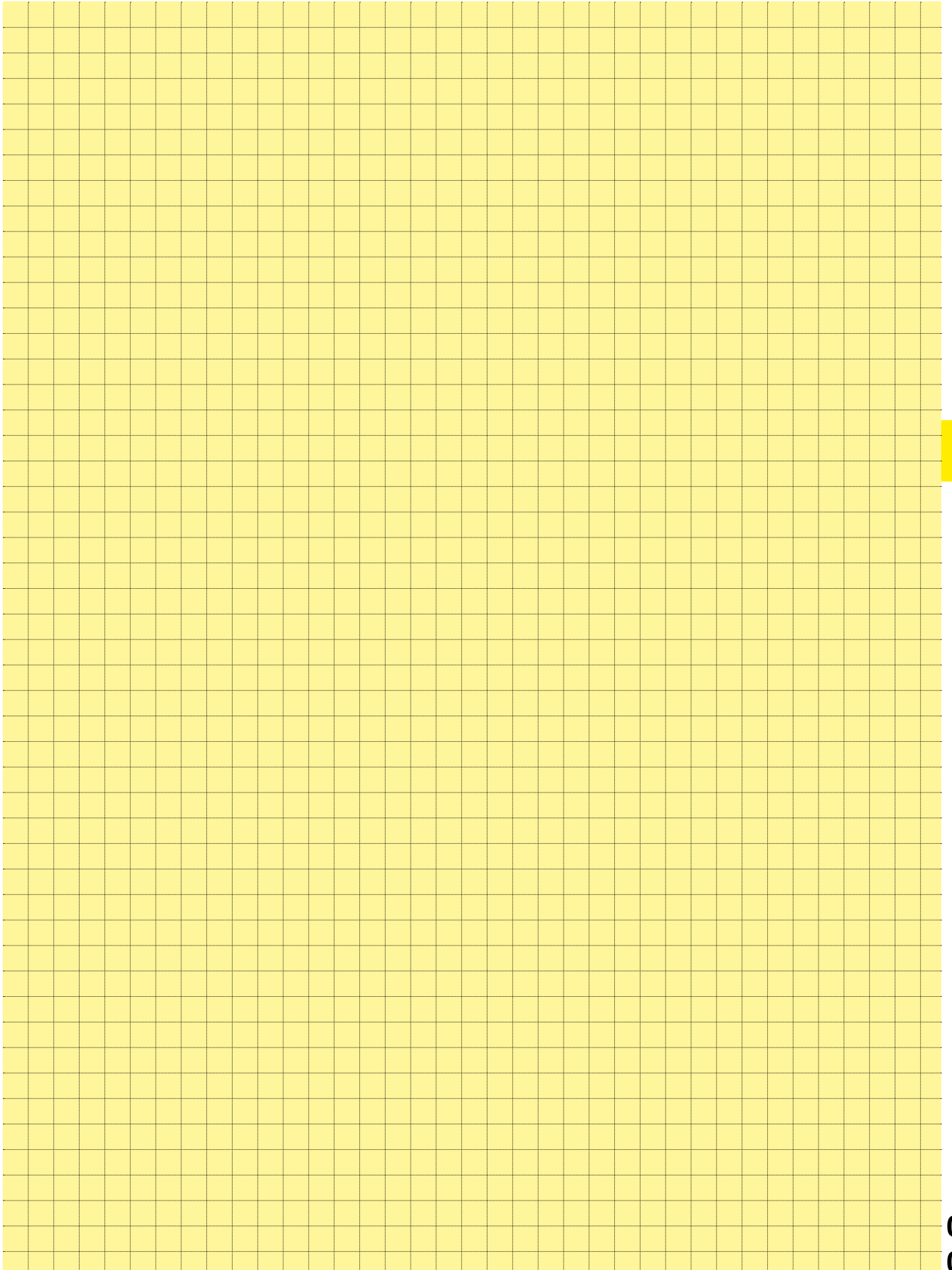
Contact arrangement View from termination side



Mating conditions as per DIN 41 652

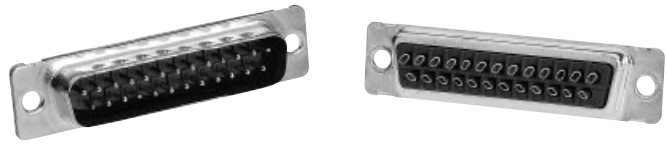


D-Sub - W



Number of contacts

9-50



IP 67, turned solder cups

Identification	No. of contacts	Part No.
		S4 ¹⁾
Male connector metal shell with dimples	9 15 25 37 50	09 67 409 5615 09 67 415 5615 09 67 425 5615 09 67 437 5615 09 67 450 5615
Female connector metal shell	9 15 25 37 50	09 67 409 4715 09 67 415 4715 09 67 425 4715 09 67 437 4715 09 67 450 4715

D-Sub - W

¹⁾ S4 = 0.76 µm (30 µinch) Au or PdNi equivalent

Number of contacts

9-50



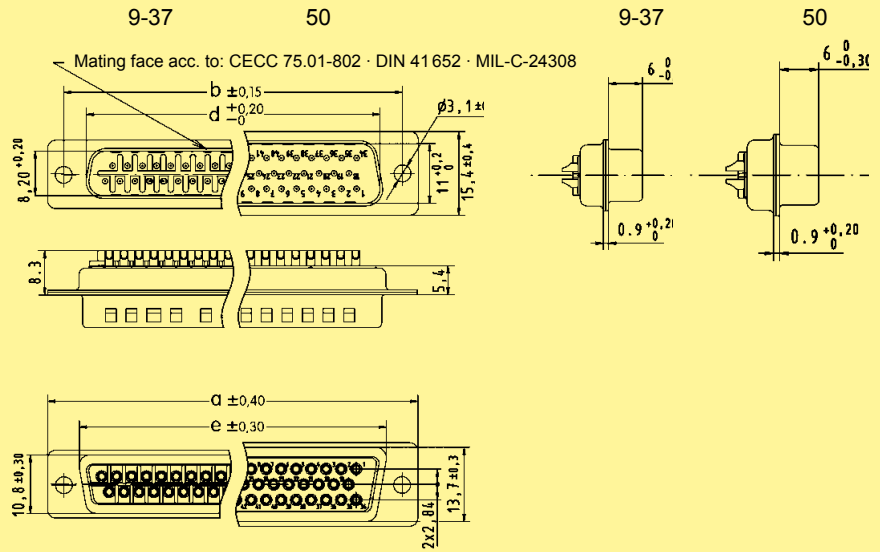
IP 67, turned solder cups

Identification

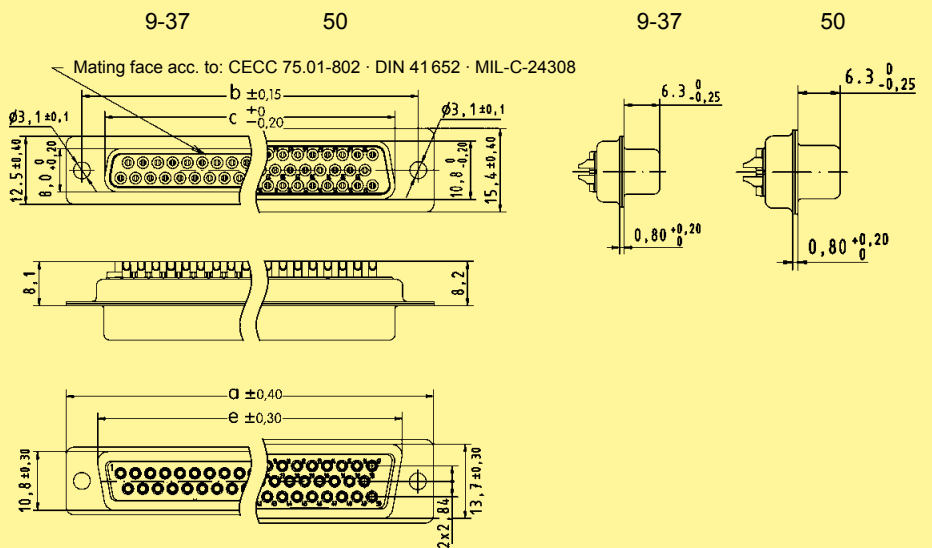
Drawing

Dimensions in mm

Male connector
9 – 50 contacts



Female connector
9 – 50 contacts



	a	b	c	d	e
9	30.8	25.00	16.4	16.9	19.3
15	39.1	33.30	24.7	25.2	27.5
25	53.0	47.04	38.5	38.9	41.3
37	69.3	63.50	54.9	55.3	57.7
50	66.9	61.10	52.5	52.8	55.3

Number of contacts

9-25



IP 67, turned solder cups, with rear plastic mounting plate

Identification	No. of contacts	Part No.	
		S4 ¹⁾	
Male connector metal shell with dimples	9 15 25	09 67 509 .	615
		09 67 515 .	615
		09 67 525 .	615
Please insert digit for flange thread			
4-40 UNC ▶	7		
M3 ▶	9		
Female connector metal shell	9 15 25	09 67 509 .	715
		09 67 515 .	715
		09 67 525 .	715
Please insert digit for flange thread			
4-40 UNC ▶	6		
M3 ▶	8		

D-Sub - W

¹⁾ S4 = 0.76 µm (30 µinch) Au or PdNi equivalent

Number of contacts

9-25



IP 67, turned solder cups, with rear plastic mounting plate

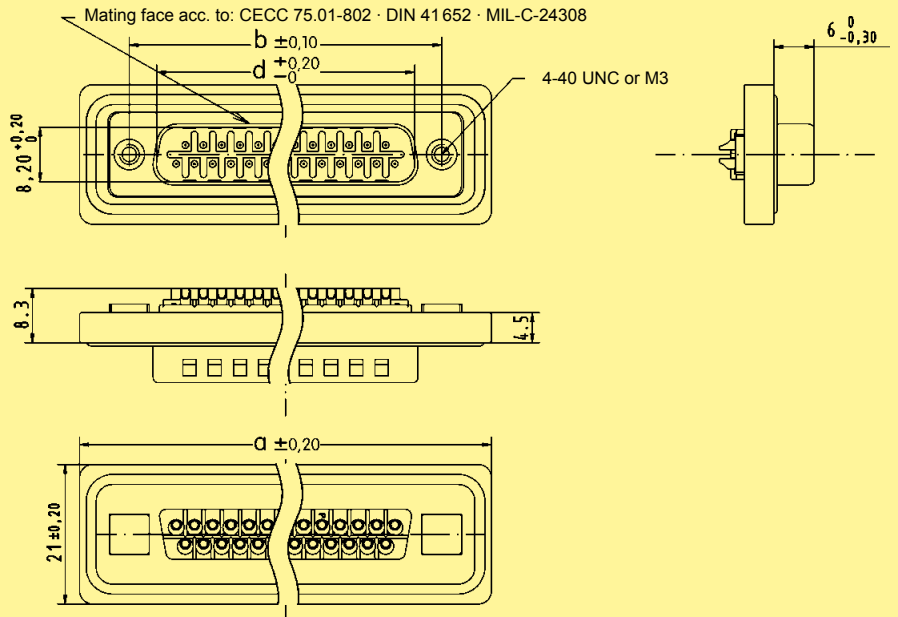
Identification

Drawing

Dimensions in mm

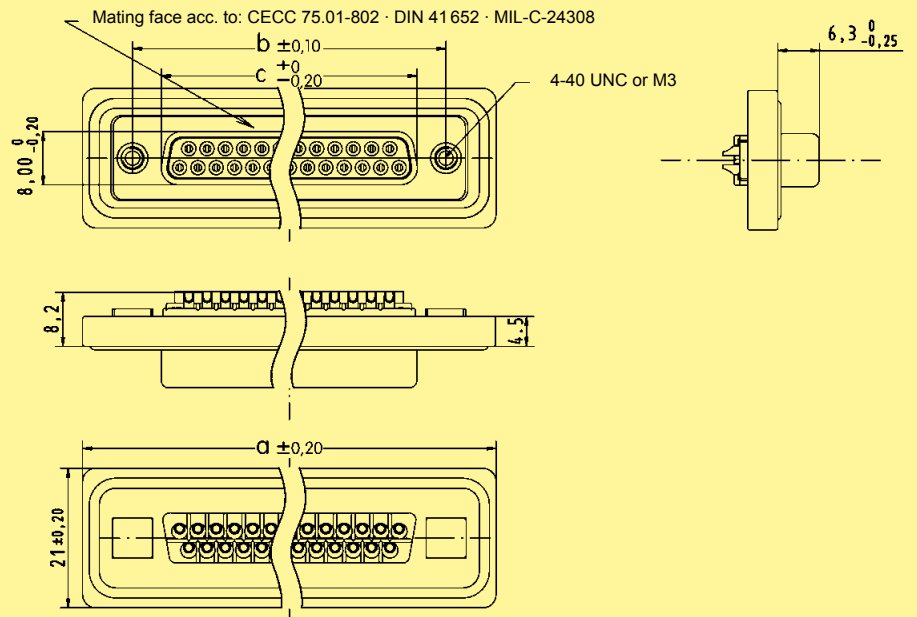
Male connector

9 – 25 contacts



Female connector

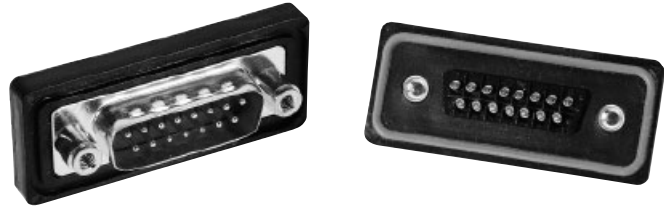
9 – 25 contacts



	a	b	c	d
9	40.0	25.00	16.4	16.9
15	48.3	33.30	24.7	25.2
25	62.0	47.04	38.5	38.9

Number of contacts

9-25



IP 67, turned solder cups, with front plastic mounting plate

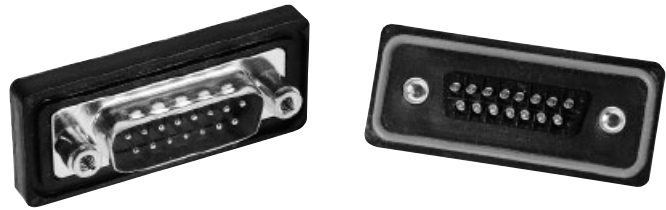
Identification	No. of contacts	Part No.	
		S4 ¹⁾	
Male connector metal shell with dimples	9 15 25	09 67 709 .	615
		09 67 715 .	615
		09 67 725 .	615
Please insert digit for flange thread			
4-40 UNC ▶	7		
M3 ▶	9		
Female connector metal shell	9 15 25	09 67 709 .	715
		09 67 715 .	715
		09 67 725 .	715
Please insert digit for flange thread			
4-40 UNC ▶	6		
M3 ▶	8		

D-Sub - W

¹⁾ S4 = 0.76 µm (30 µinch) Au or PdNi equivalent

Number of contacts

9-25



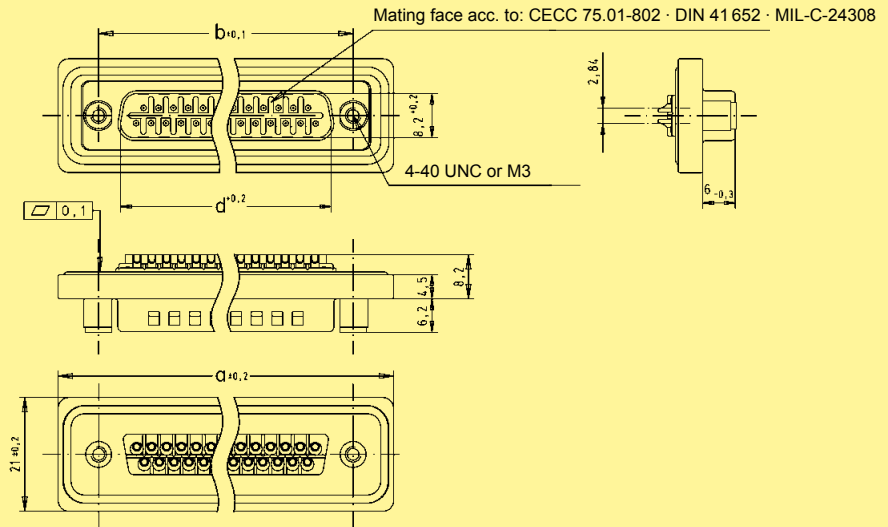
IP 67, turned solder cups, with front plastic mounting plate

Identification

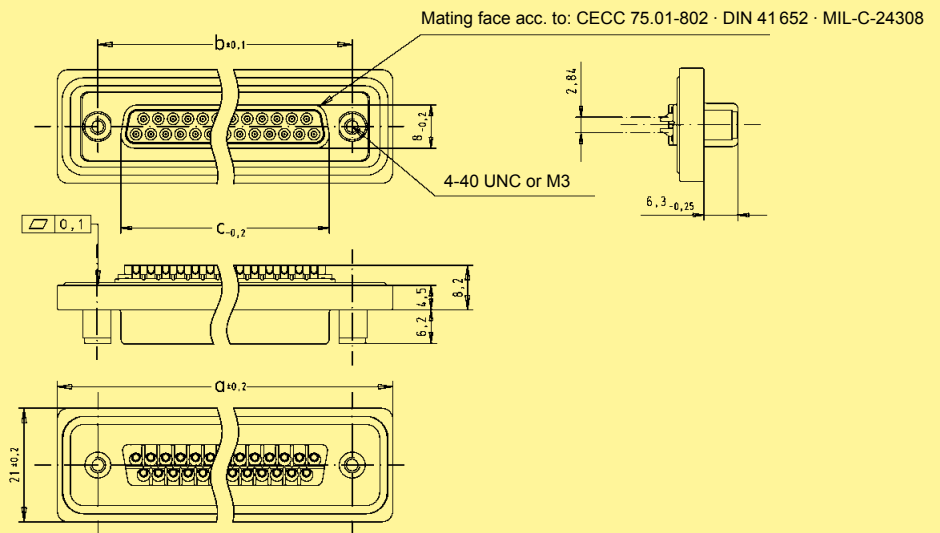
Drawing

Dimensions in mm

Male connector
9 – 25 contacts



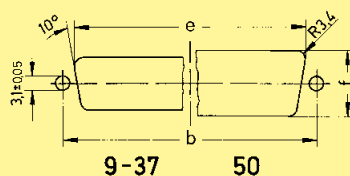
Female connector
9 – 25 contacts



	a	b	c	d
9	40.0	25.00	16.4	16.9
15	48.3	33.30	24.7	25.2
25	62.0	47.04	38.5	38.9

Panel cut out
for front/rear mount

Values are taken from the
CECC 75 301-802



Front mount

	$b_{\pm 0.13}$	$e_{\pm 0.2}$	$f_{\pm 0.2}$
9	25.0	22.2	12.3
15	33.3	30.5	12.3
25	47.0	44.3	12.3

Rear mount

	$b_{\pm 0.13}$	$e_{\pm 0.2}$	$f_{\pm 0.2}$
9	25.0	20.5	11.4
15	33.3	28.8	11.4
25	47.0	42.5	11.4

Number of contacts

9–50



IP 67, turned solder cups, with rear metal mounting plate

Identification	No. of contacts	Part No.	
		S4 ¹⁾	
Male connector metal shell with dimples			
	9	09 67 609	. 615
	15	09 67 615	. 615
	25	09 67 625	. 615
	37	09 67 637	. 615
	50	09 67 650	. 615
Please insert digit for flange thread			
4-40 UNC ▶	7		
M3 ▶	9		
Female connector metal shell			
	9	09 67 609	. 715
	15	09 67 615	. 715
	25	09 67 625	. 715
	37	09 67 637	. 715
	50	09 67 650	. 715
Please insert digit for flange thread			
4-40 UNC ▶	6		
M3 ▶	8		

D-Sub - W

¹⁾ S4 = 0.76 µm (30 µinch) Au or PdNi equivalent

Number of contacts

9-50



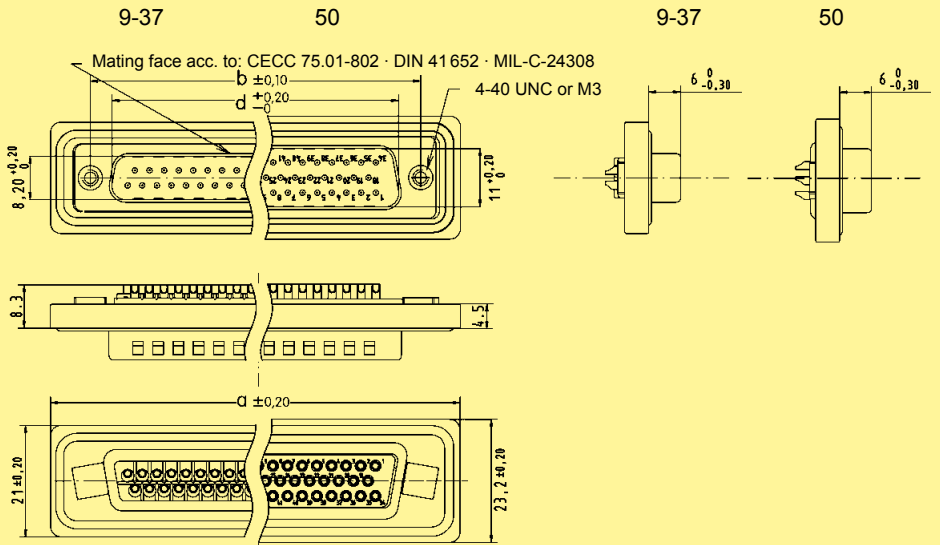
IP 67, turned solder cups, with rear metal mounting plate

Identification

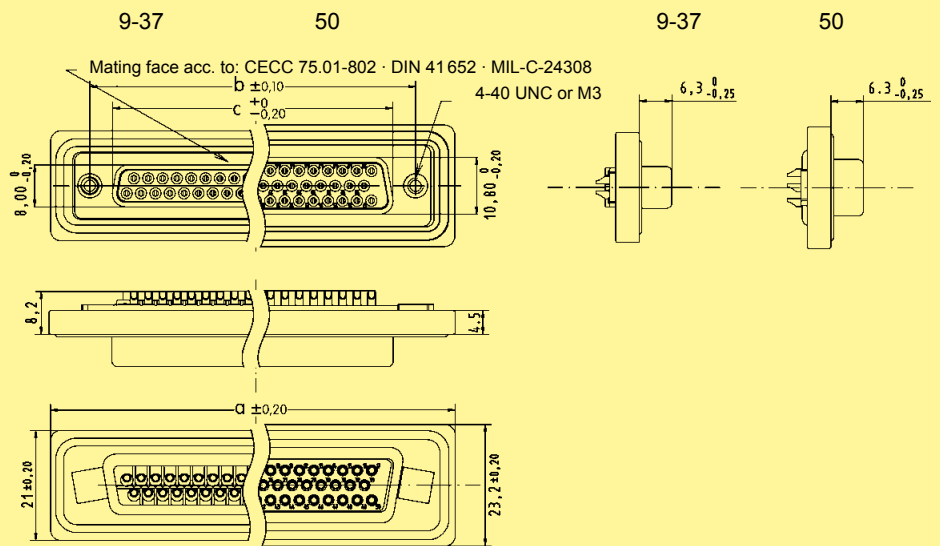
Drawing

Dimensions in mm

Male connector
9 – 50 contacts



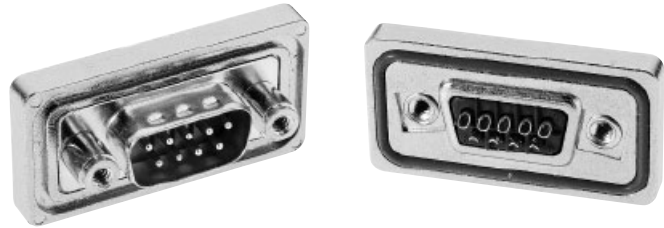
Female connector
9 – 50 contacts



	a	b	c	d
9	40,0	25,00	16,4	16,9
15	48,3	33,30	24,7	25,2
25	62,0	47,04	38,5	38,9
37	78,5	63,50	54,9	55,3
50	76,1	61,10	52,5	52,8

Number of contacts

9-50



IP 67, turned solder cups, with front metal mounting plate

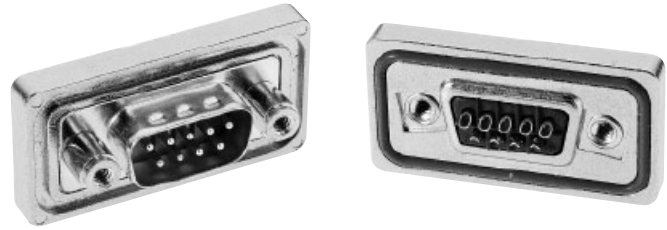
Identification	No. of contacts	Part No.	
		S4 ¹⁾	
Male connector metal shell with dimples			
	9	09 67 809	. 615
	15	09 67 815	. 615
	25	09 67 825	. 615
	37	09 67 837	. 615
	50	09 67 850	. 615
Please insert digit for flange thread			
4-40 UNC ▶	7		
M3 ▶	9		
Female connector metal shell			
	9	09 67 809	. 715
	15	09 67 815	. 715
	25	09 67 825	. 715
	37	09 67 837	. 715
	50	09 67 850	. 715
Please insert digit for flange thread			
4-40 UNC ▶	6		
M3 ▶	8		

D-Sub - W

¹⁾ S4 = 0.76 µm (30 µinch) Au or PdNi equivalent

Number of contacts

9-50



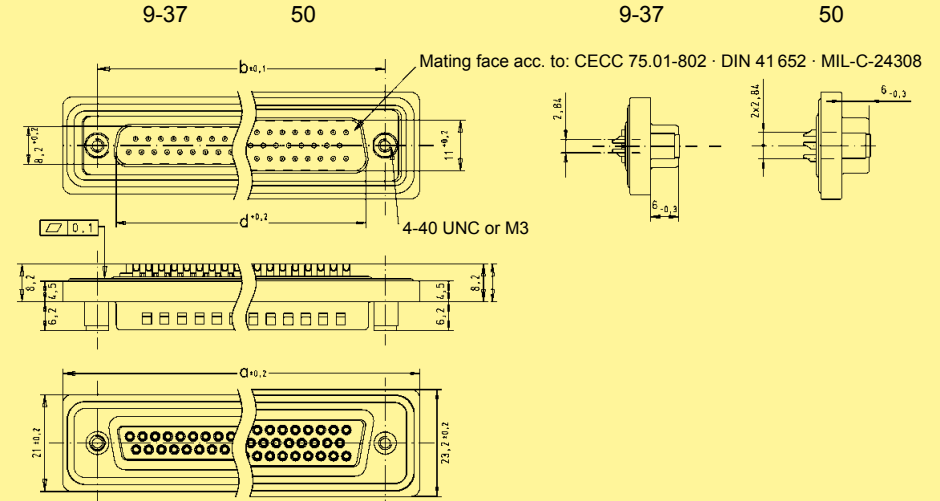
IP 67, turned solder cups, with front metal mounting plate

Identification

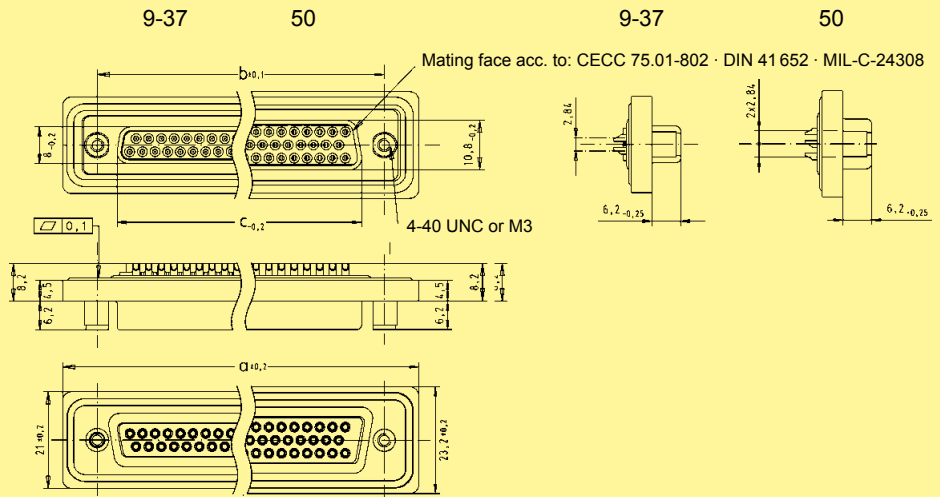
Drawing

Dimensions in mm

Male connector
9 – 50 contacts



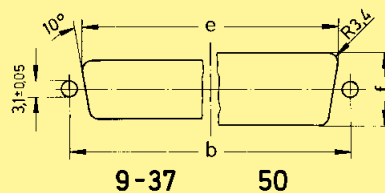
Female connector
9 – 50 contacts



	a	b	c	d
9	40.0	25.00	16.4	16.9
15	48.3	33.30	24.7	25.2
25	62.0	47.04	38.5	38.9
37	78.5	63.50	54.9	55.3
50	76.1	61.10	51.3	52.8

Panel cut out
for front/rear mount

Values are taken from the
CECC 75 301-802



Front mount

	$b_{\pm 0.13}$	$e_{\pm 0.2}$	$f_{\pm 0.2}$
9	25.0	22.2	12.3
15	33.3	30.5	12.3
25	47.0	44.3	12.3
37	63.5	60.7	12.3
50	61.1	58.3	15.1

Rear mount

	$b_{\pm 0.13}$	$e_{\pm 0.2}$	$f_{\pm 0.2}$
9	25.0	20.5	11.4
15	33.3	28.8	11.4
25	47.0	42.5	11.4
37	63.5	59.1	11.4
50	61.1	56.3	14.1

Number of contacts

9-25



IP 67, straight turned solder pins,
with rear plastic mounting plate, spacer and board lock

Identification	No. of contacts	Part No.	
		S4 ¹⁾	
Male connector metal shell with dimples	9 15 25	09 67 509 .	675
		09 67 515 .	675
		09 67 525 .	675
Please insert digit for flange thread			
4-40 UNC ▶	7		
M3 ▶	9		
Female connector metal shell	9 15 25	09 67 509 .	775
		09 67 515 .	775
		09 67 525 .	775
Please insert digit for flange thread			
4-40 UNC ▶	6		
M3 ▶	8		

D-Sub - W

¹⁾ S4 = 0.76 µm (30 µinch) Au or PdNi equivalent

Number of contacts

9-25



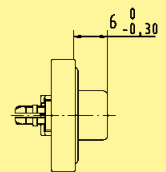
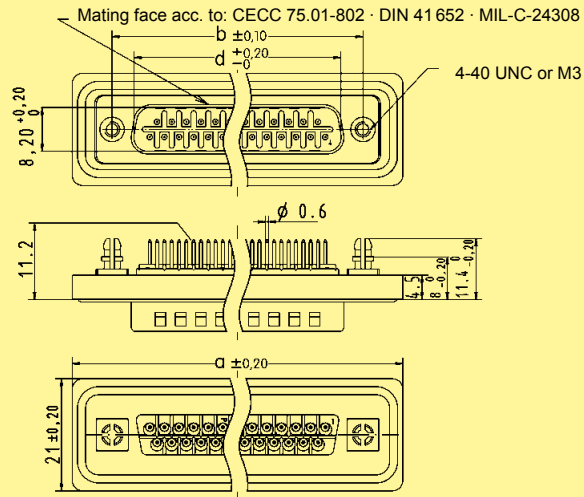
IP 67, straight turned solder pins,
with rear plastic mounting plate, spacer and board lock

Identification

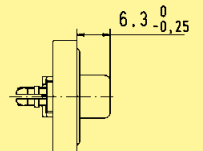
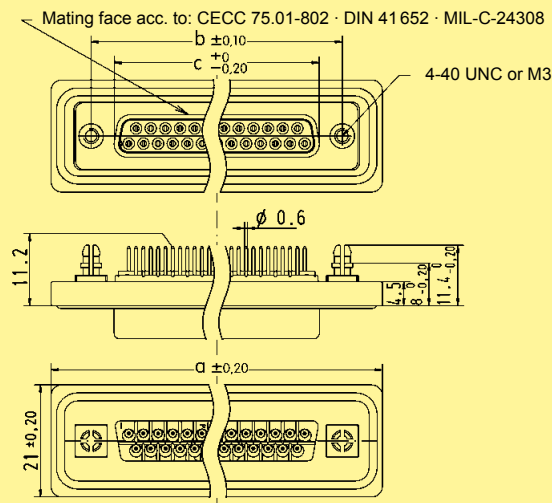
Drawing

Dimensions in mm

Male connector
9 – 25 contacts

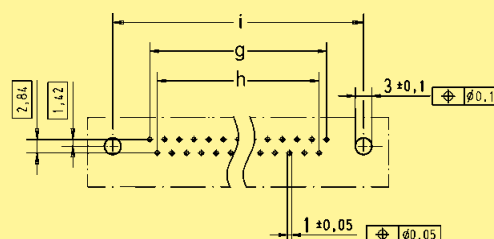


Female connector
9 – 25 contacts



	a	b	c	d	g	h	i
9	40.0	25.00	16.4	16.9	4 x 2.74 = 10.96	3 x 2.74 = 8.22	25.0
15	48.3	33.30	24.7	25.2	7 x 2.74 = 19.18	6 x 2.74 = 16.44	33.3
25	62.0	47.04	38.5	38.9	12 x 2.76 = 33.12	11 x 2.76 = 30.36	47.0

Board drillings



Number of contacts

9-50



IP 67, straight turned solder pins,
with rear metal mounting plate, spacer and board lock

Identification	No. of contacts	Part No.	
		S4 ¹⁾	
Male connector metal shell with dimples			
	9	09 67 609	. 675
	15	09 67 615	. 675
	25	09 67 625	. 675
	37	09 67 637	. 675
	50	09 67 650	. 675
Please insert digit for flange thread			
4-40 UNC ▶	7		
M3 ▶	9		
Female connector metal shell			
	9	09 67 609	. 775
	15	09 67 615	. 775
	25	09 67 625	. 775
	37	09 67 637	. 775
	50	09 67 650	. 775
Please insert digit for flange thread			
4-40 UNC ▶	6		
M3 ▶	8		

D-Sub - W

¹⁾ S4 = 0.76 µm (30 µinch) Au or PdNi equivalent

Number of contacts

9-50



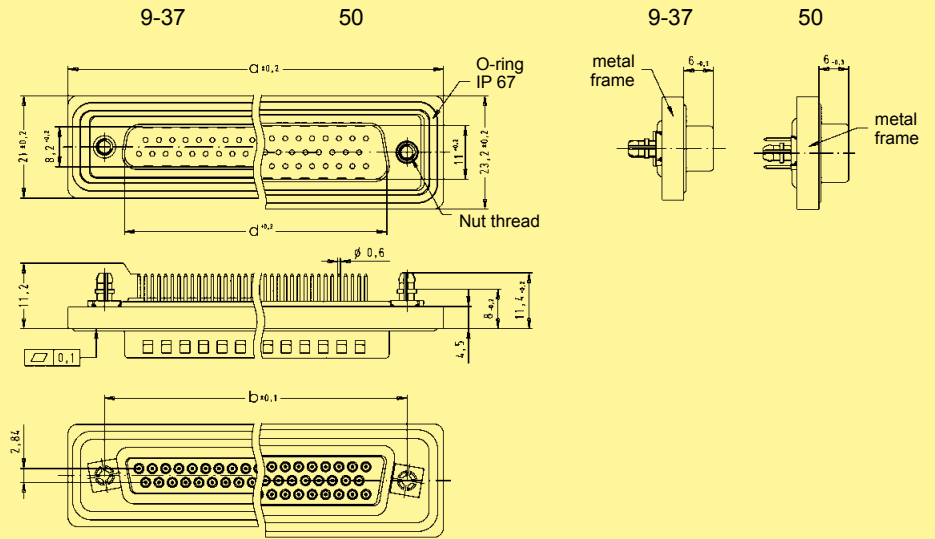
IP 67, straight turned solder pins, with rear metal mounting plate, spacer and board lock

Identification

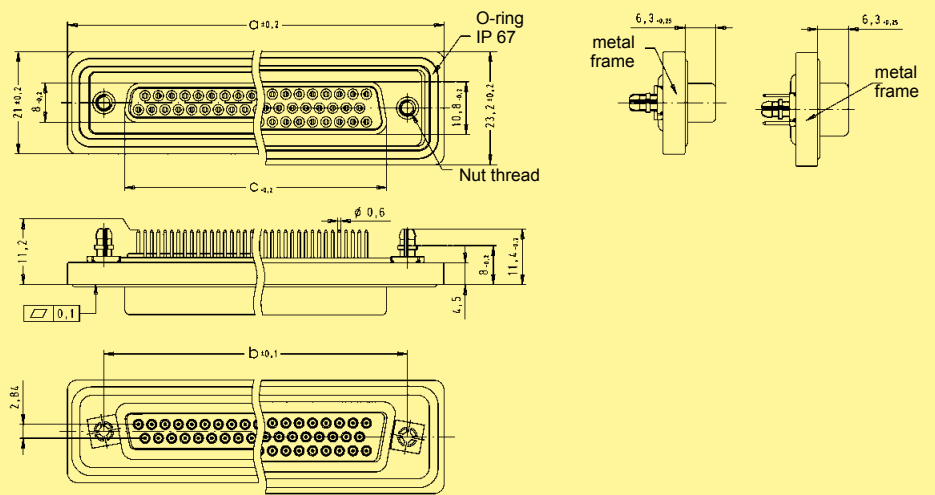
Drawing

Dimensions in mm

Male connector
9 – 50 contacts

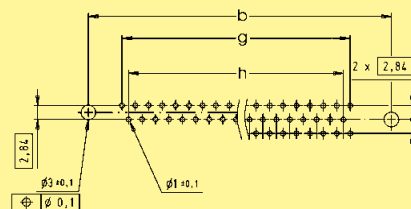


Female connector
9 – 50 contacts



	a	b	c	d	g	h
9	40.0	25.00	16.4	16.9	4 x 2.74 = 10.96	3 x 2.74 = 8.22
15	48.3	33.30	24.7	25.2	7 x 2.74 = 19.18	6 x 2.74 = 16.44
25	62.0	47.04	38.5	38.9	12 x 2.76 = 33.12	11 x 2.76 = 30.36
37	78.5	63.50	54.9	55.3	18 x 2.76 = 49.68	17 x 2.76 = 46.92
50	76.1	61.10	52.5	52.8	16 x 2.76 = 44.16	15 x 2.76 = 41.40

Board drillings



D-Sub - W

Number of contacts

9-25



IP 67, angled turned solder pins,
with rear plastic mounting plate, bracket and board lock

Identification	No. of contacts	Part No.	
		S4 ¹⁾	
Male connector metal shell with dimples	9 15 25	09 67 509 .	658
		09 67 515 .	658
		09 67 525 .	658
Please insert digit for flange thread			
4-40 UNC ▶	7		
M3 ▶	9		
Female connector metal shell	9 15 25	09 67 509 .	758
		09 67 515 .	758
		09 67 525 .	758
Please insert digit for flange thread			
4-40 UNC ▶	6		
M3 ▶	8		

D-Sub - W

¹⁾ S4 = 0.76 µm (30 µinch) Au or PdNi equivalent

Number of contacts

9-25



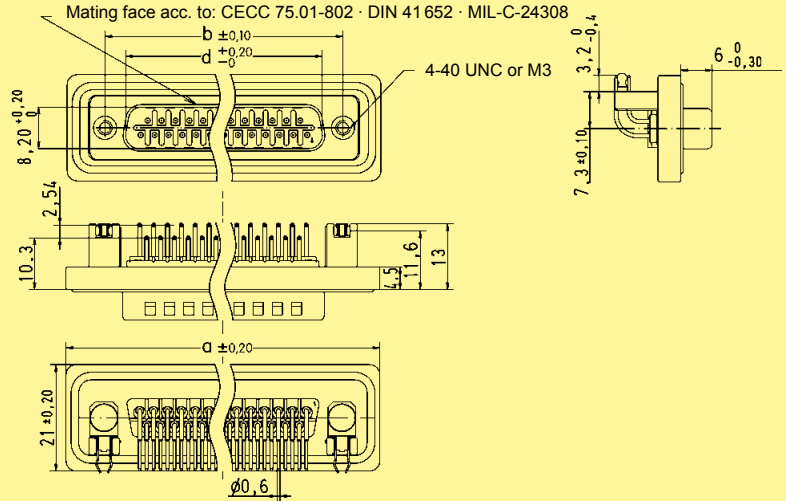
IP 67, angled turned solder pins,
with rear plastic mounting plate, bracket and board lock

Identification

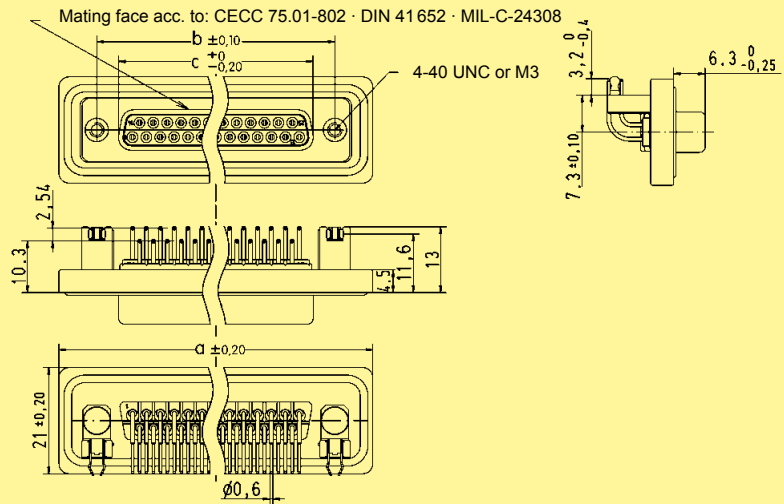
Drawing

Dimensions in mm

Male connector
9 – 25 contacts

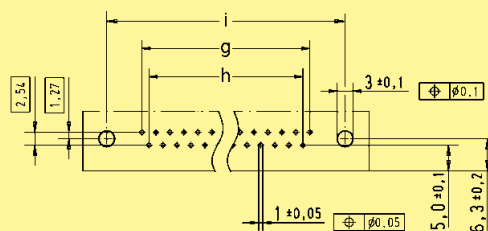


Female connector
9 – 25 contacts



	a	b	c	d	g	h	i
9	40.0	25.00	16.4	16.9	4 x 2.74 = 10.96	3 x 2.74 = 8.22	25.0
15	48.3	33.30	24.7	25.2	7 x 2.74 = 19.18	6 x 2.74 = 16.44	33.3
25	62.0	47.04	38.5	38.9	12 x 2.76 = 33.12	11 x 2.76 = 30.36	47.0

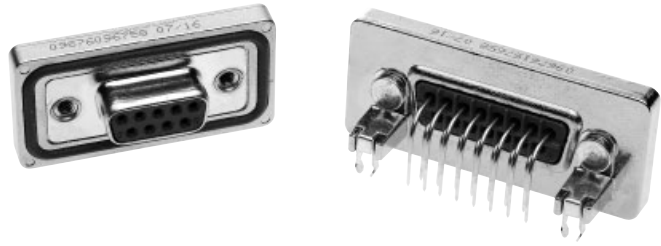
Board drillings



D-Sub - W

Number of contacts

9-50



IP 67, angled turned solder pins,
with rear metal mounting plate, bracket and board lock

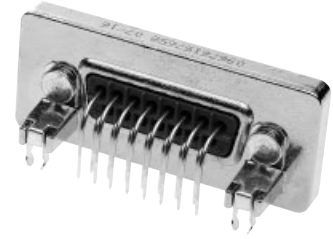
Identification	No. of contacts	Part No.	
		S4 ¹⁾	
Male connector metal shell with dimples			
	9	09 67 609	. 658
	15	09 67 615	. 658
	25	09 67 625	. 658
	37	09 67 637	. 658
	50	09 67 650	. 658
Please insert digit for flange thread			
4-40 UNC ▶	7		
M3 ▶	9		
Female connector metal shell			
	9	09 67 609	. 758
	15	09 67 615	. 758
	25	09 67 625	. 758
	37	09 67 637	. 758
	50	09 67 650	. 758
Please insert digit for flange thread			
4-40 UNC ▶	6		
M3 ▶	8		

D-Sub - W

¹⁾ S4 = 0.76 µm (30 µinch) Au or PdNi equivalent

Number of contacts

9-50



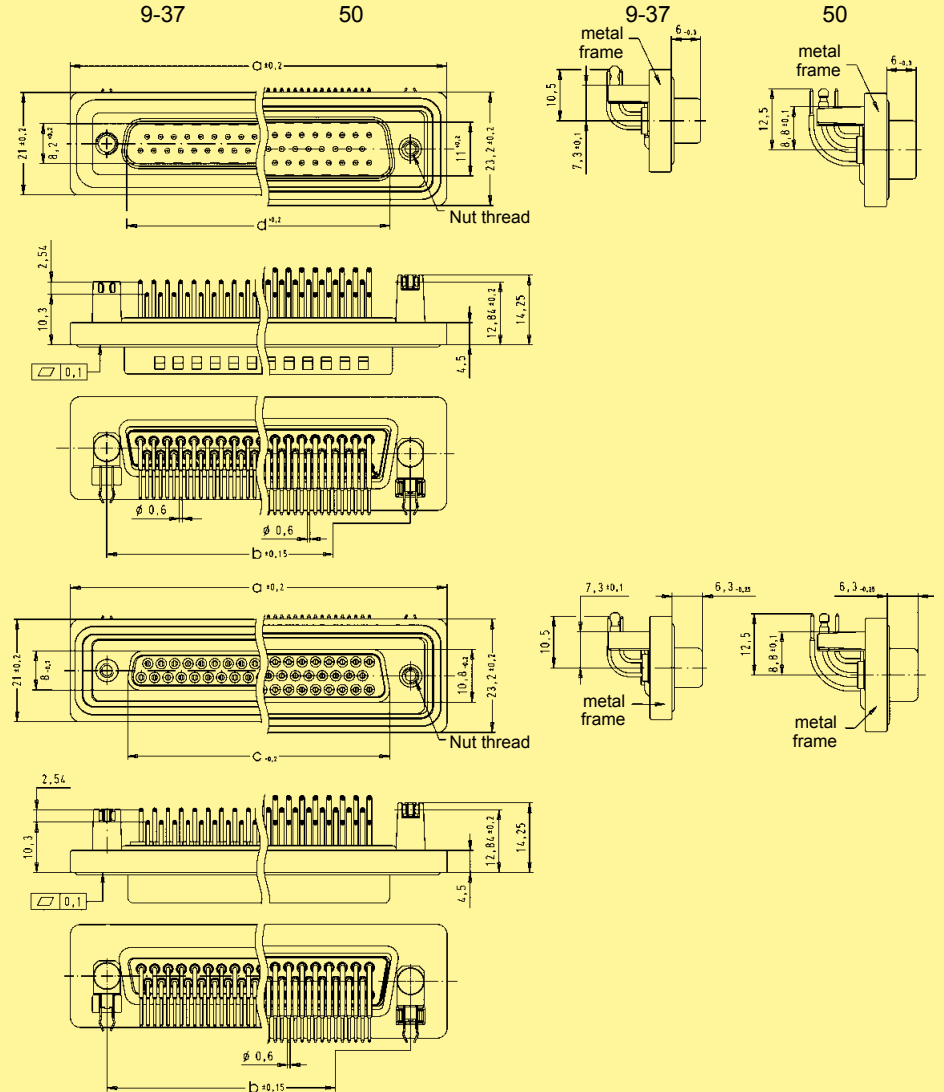
IP 67, angled turned solder pins,
with rear metal mounting plate, bracket and board lock

Identification

Drawing

Dimensions in mm

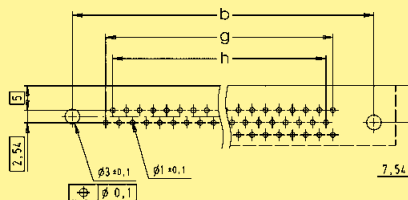
Male connector
9 – 50 contacts



Female connector
9 – 50 contacts

	a	b	c	d	g	h
9	40.0	25.00	16.4	16.9	4 x $2.74 = 10.96$	3 x $2.74 = 8.22$
15	48.3	33.30	24.7	25.2	7 x $2.74 = 19.18$	6 x $2.74 = 16.44$
25	62.0	47.04	38.5	38.9	12 x $2.76 = 33.12$	11 x $2.76 = 30.36$
37	78.5	63.50	54.9	55.3	18 x $2.76 = 49.68$	17 x $2.76 = 46.92$
50	76.1	61.10	52.5	52.8	16 x $2.76 = 44.16$	15 x $2.76 = 41.40$

Board drillings





IP 67 plastic hoods

IP 67 metallized plastic hoods

Identification No. of contacts Part No. Drawing Dimensions in mm

Hood¹⁾

Black thermoplastic

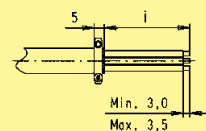
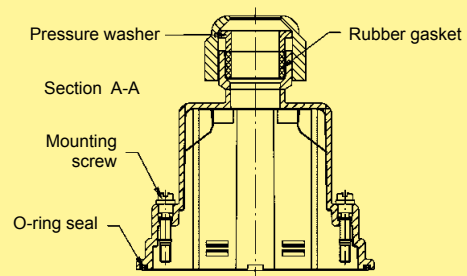
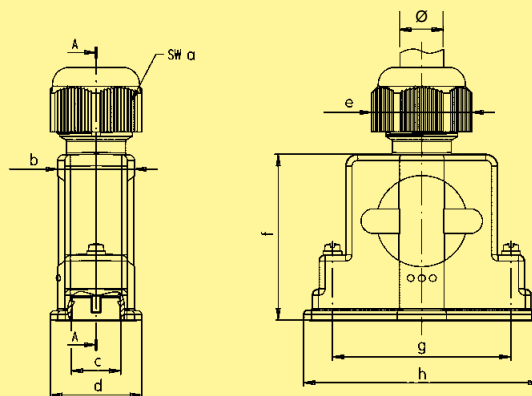
9	09 67 009 043
15	09 67 015 043
25	09 67 025 043
37	09 67 037 043
50	09 67 050 043

Metallized thermo-
plastic

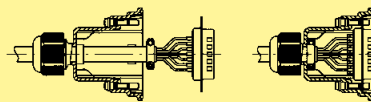
9	09 67 009 053
15	09 67 015 053
25	09 67 025 053
37	09 67 037 053
50	09 67 050 053

Please insert digit
for screw option

Locking screw, thread 4-40 UNC	8
Locking screw, thread M3	9



Stripping dimensions




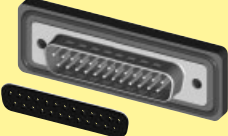
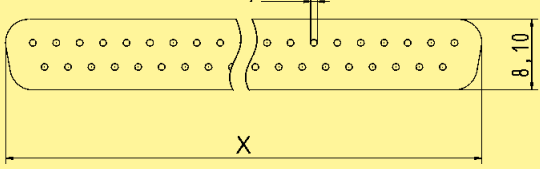

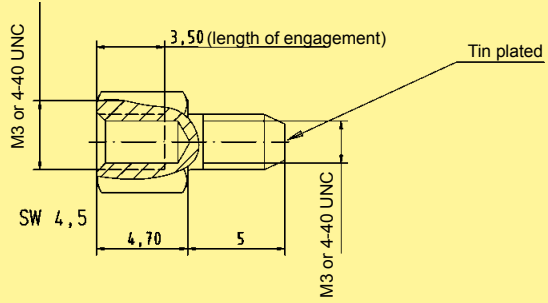
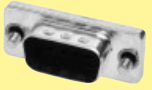
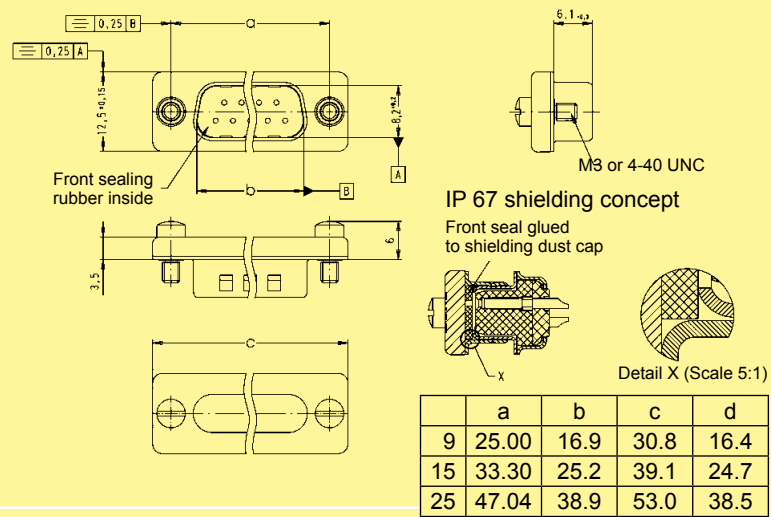
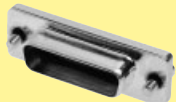
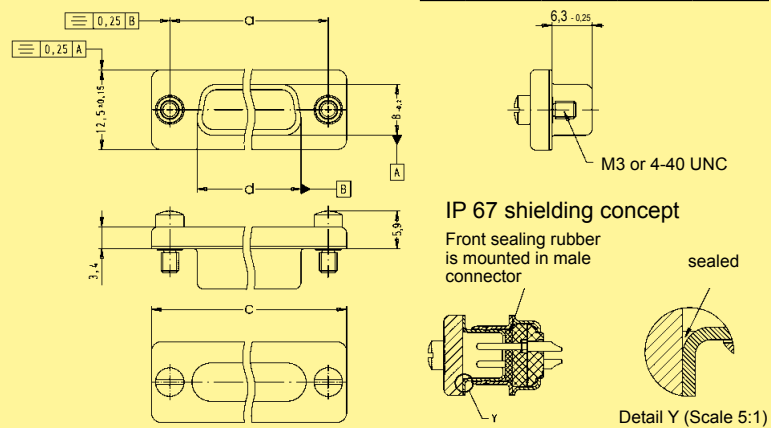
Mounting instructions:

- The peeled back cable braiding must not extend over the cable clamp, in order not to damage the gasket or to impair its performance.
- Pull back cable until cable clamp snaps into shielding plate.
- Snap connector into hood.

	a	b	c	d	e	f	g	h	i	Ø	
										min.	max.
9	20	16.5	13.0	20.2	22.1	36.4	25.0	39.8	18.0	6.0	8.0
15	24	16.5	13.0	20.2	26.6	36.4	33.3	48.5	18.0	6.0	10.5
25	24	20.3	13.0	24.0	26.6	43.6	47.0	62.3	45.0	8.0	12.0
37	24	20.3	13.0	24.0	26.6	52.1	63.5	78.6	60.0	8.0	12.0
50	29	22.0	16.0	27.6	32.1	52.1	61.1	75.7	60.0	9.0	14.0

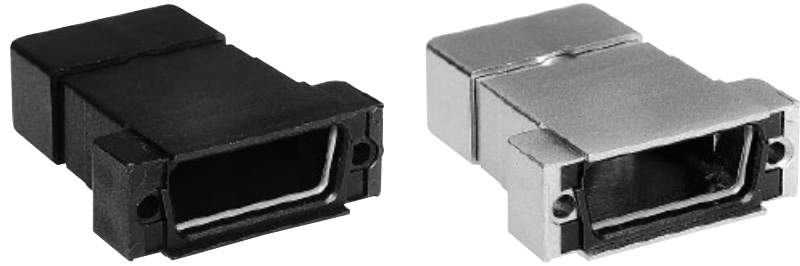
¹⁾ Not to be used with 9 to 50 pole crimp connectors

Accessories for IP 67 connectors

Identification	No. of contacts	Part No.	Drawing	Dimensions in mm																				
Front sealing rubber¹⁾ IP 67  Mounting example 	9 15 25	09 67 002 9001 09 67 002 9002 09 67 002 9003		<table border="1"> <thead> <tr> <th></th> <th>X</th> </tr> </thead> <tbody> <tr> <td>9</td> <td>16.7</td> </tr> <tr> <td>15</td> <td>24.8</td> </tr> <tr> <td>25</td> <td>38.8</td> </tr> </tbody> </table>		X	9	16.7	15	24.8	25	38.8												
	X																							
9	16.7																							
15	24.8																							
25	38.8																							
Female screw lock and spacing washer²⁾ M3  4-40 UNC 2) Order 2 for each connector		09 67 002 9006 09 67 002 9007																						
Dust cap for female connectors³⁾ M3  4-40 UNC 3) With inside glued front sealing rubber	9 15 25 9 15 25	09 67 002 9055 09 67 002 9056 09 67 002 9057 09 67 002 9050 09 67 002 9051 09 67 002 9052		<table border="1"> <thead> <tr> <th></th> <th>a</th> <th>b</th> <th>c</th> <th>d</th> </tr> </thead> <tbody> <tr> <td>9</td> <td>25.00</td> <td>16.9</td> <td>30.8</td> <td>16.4</td> </tr> <tr> <td>15</td> <td>33.30</td> <td>25.2</td> <td>39.1</td> <td>24.7</td> </tr> <tr> <td>25</td> <td>47.04</td> <td>38.9</td> <td>53.0</td> <td>38.5</td> </tr> </tbody> </table>		a	b	c	d	9	25.00	16.9	30.8	16.4	15	33.30	25.2	39.1	24.7	25	47.04	38.9	53.0	38.5
	a	b	c	d																				
9	25.00	16.9	30.8	16.4																				
15	33.30	25.2	39.1	24.7																				
25	47.04	38.9	53.0	38.5																				
Dust cap for male connectors⁴⁾ M3  4-40 UNC 4) Order separately the front sealing rubber for an IP 67 performance	9 15 25 9 15 25	09 67 002 9065 09 67 002 9066 09 67 002 9067 09 67 002 9060 09 67 002 9061 09 67 002 9062																						

D-Sub - W

1) The front sealing rubber is to be used with hood 09 67 0xx 0436 and 09 67 0xx 0437 when a mated system needs to have the IP 67 performance; in this case, the front sealing rubber is positioned in the IP 67 male connector prior to the mating operation with the facing IP 67 connector; it provides a full protection of the contacts at the mated area by preventing possible ingress of liquids or dust between the shells.



IP 67 plastic hoods
IP 67 metallized plastic hoods

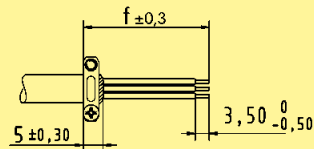
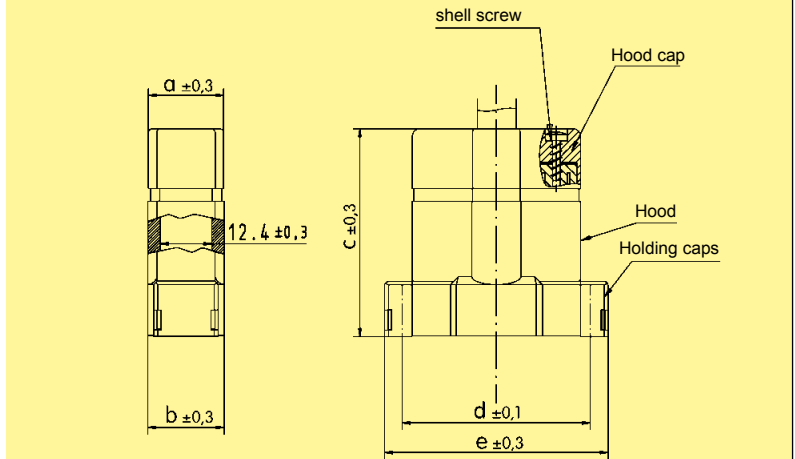
Identification No. of contacts Part No. Drawing Dimensions in mm

Hood
Black thermoplastic

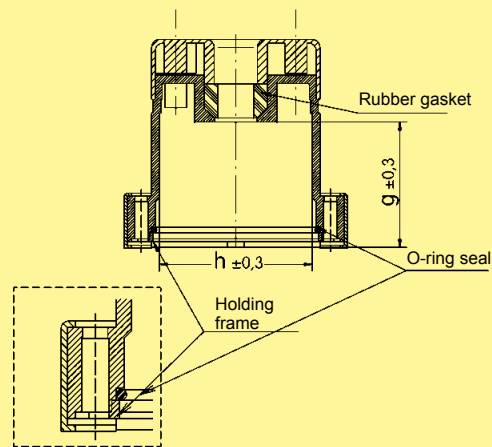
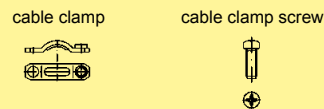
9 09 67 009 0436
15 09 67 015 0436
25 09 67 025 0436

Metallized thermoplastic

9 09 67 009 0437
15 09 67 015 0437
25 09 67 025 0437




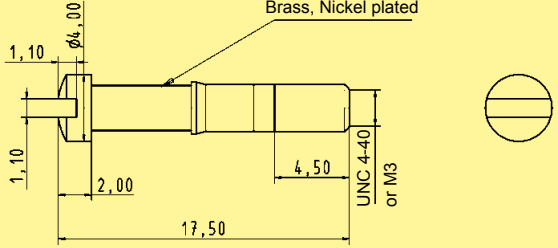


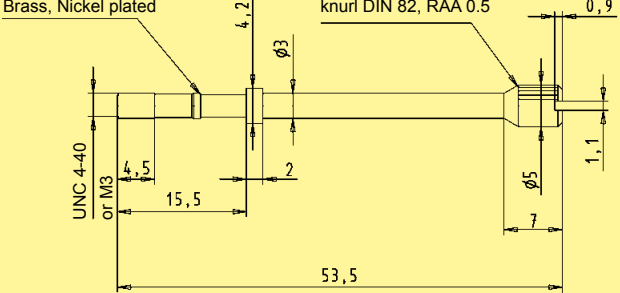


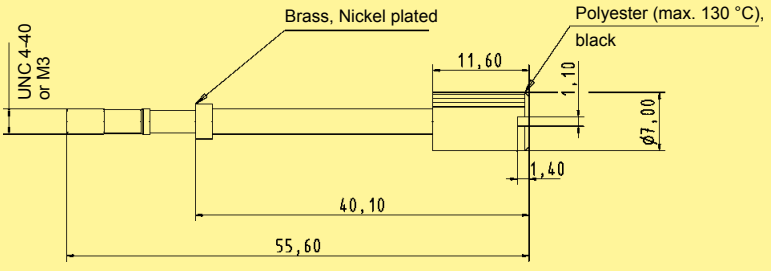

Mounting instructions
The stripped braid should not be fold back to avoid damaging the cable clamp and reducing its performance.



	a	b	c	d	e	f	g	h
9	15.6	15.6	41.0	25.00	33.6	23.0	25.0	17.0
15	15.6	15.6	46.8	33.30	42.0	27.5	30.8	25.1
25	18.8	19.1	52.0	47.04	55.7	31.5	33.8	38.8

D-Sub - W

Accessories for IP 67 hoods

Identification	No. of contacts	Part No.	Drawing	Dimensions in mm
Short locking screw 4-40 UNC 		09 67 002 9008		
Short locking screw M3 		09 67 002 9009		
Knurled locking screw 4-40 UNC 		09 67 002 9010		
Knurled locking screw M3 		09 67 002 9011		
Knurled locking screw 4-40 UNC with plastic cap 		09 67 002 9012		
Knurled locking screw M3 with plastic cap 		09 67 002 9013		

D-Sub - W



D-Sub - W