

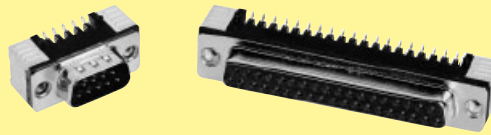
Surface Mount Technology (SMT) board connectors

Page

D-Sub – SMT

Technical characteristics **21.02**

Standard versions, angled **21.04**



Low-profile versions, angled **21.06**



Standard versions, straight **21.08**



Number of contacts 9, 15, 25, 37

Working current 5 A

Test voltage $U_{r.m.s.}$ 1 kV

Clearance and creepage ≥ 1.0 mm

Contact resistance < 25 m Ω
Insulation resistance > 5 G Ω

Temperature range as per profile JEDEC 020 D

Terminations Solder pins for P.C.B. pads

Materials

Mouldings LCP black
UL 94-V0

Contacts Phosphorus bronze

Grounding die Zamac

Shell Steel

Contact surface

Contact zone selectively plated
acc. to performance level¹⁾

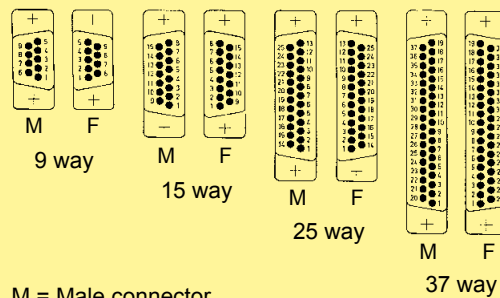
Grounding die Pure tin

Shell Nickel plated

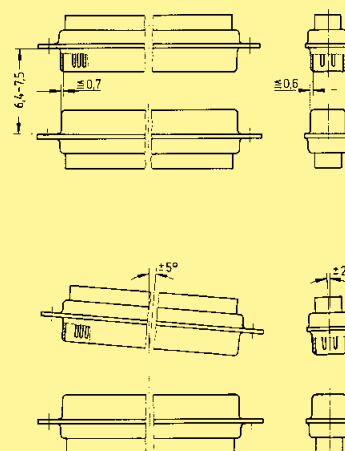
Mating force

9 way ≤ 30 N
15 way ≤ 50 N
25 way ≤ 83 N
37 way ≤ 123 N

Contact arrangement View from termination side

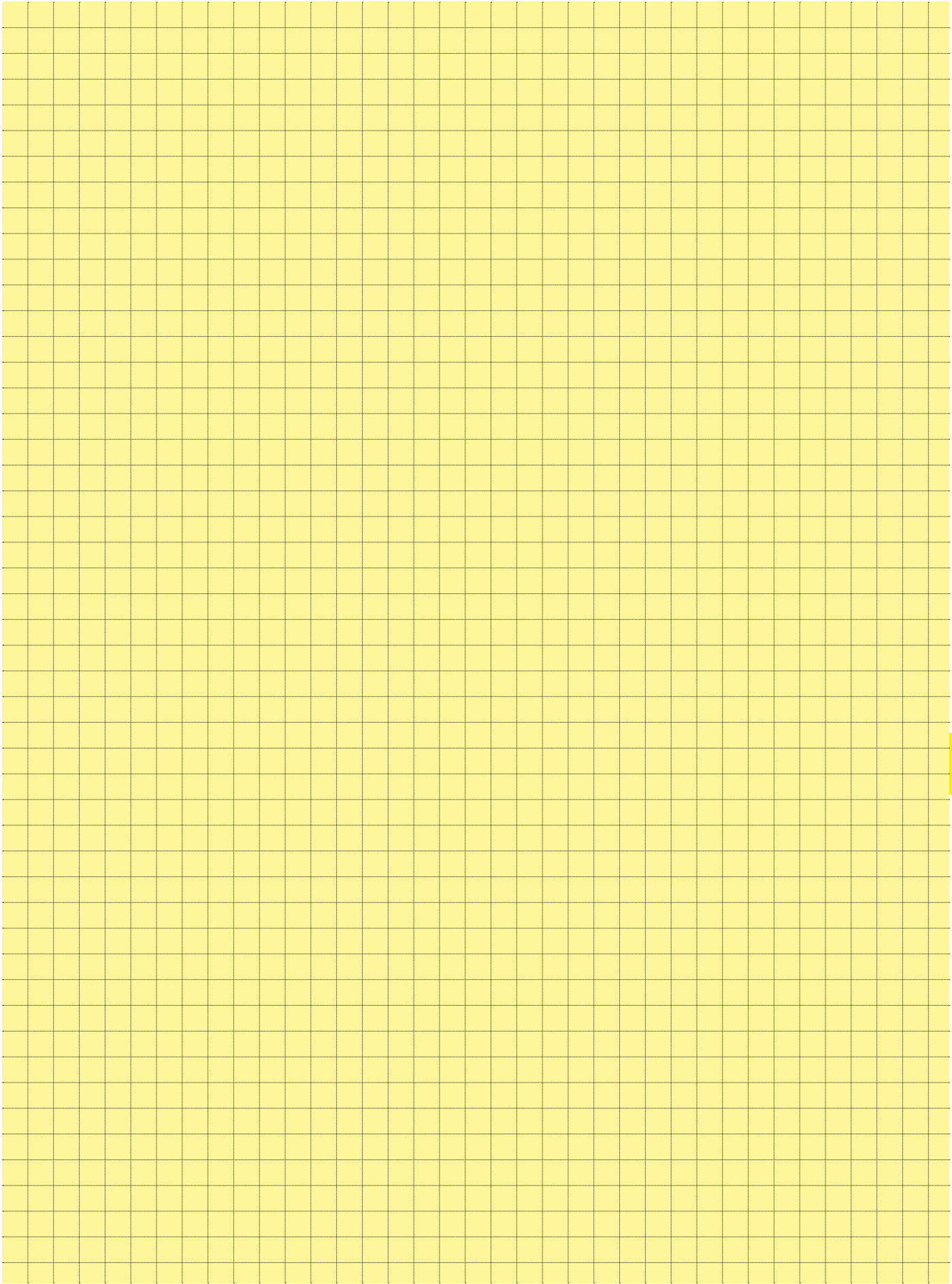


Mating conditions as per DIN 41 652



SMT technology

¹⁾ Performance level 3, 50 mating cycles, no gas test
Performance level 2 as per CECC 75 301-802, 250 mating cycles, 4 days 4 mixed gas test – IEC 60 512



Number of contacts

9–37



SMT stamped solder pins, angled with grounding board locks

Identification	No. of contacts	Part No.	
Performance levels Explanations see page 21.02 Other performance levels on request		Performance level 3	
		Performance level 2	
Male connector metal shell with dimples			
	9	09 55 166 78 .. 741	09 55 166 68 .. 741
	15	09 55 266 78 .. 741	09 55 266 68 .. 741
	25	09 55 366 78 .. 741	09 55 366 68 .. 741
	37	09 55 466 78 .. 741	09 55 466 68 .. 741
Female connector metal shell			
	9	09 55 156 76 .. 741	09 55 156 66 .. 741
	15	09 55 256 76 .. 741	09 55 256 66 .. 741
	25	09 55 356 76 .. 741	09 55 356 66 .. 741
	37	09 55 456 76 .. 741	09 55 456 66 .. 741
Please insert digit for flange thread or fitted female screw locks			
M3 ▶ 11			
4-40 UNC ▶ 12			
non-removable fitted screw locks M3 ▶ 21			
non-removable fitted screw locks 4-40 UNC ▶ 22			

SMT technology

Number of contacts

9–37



SMT stamped solder pins, angled with grounding board locks

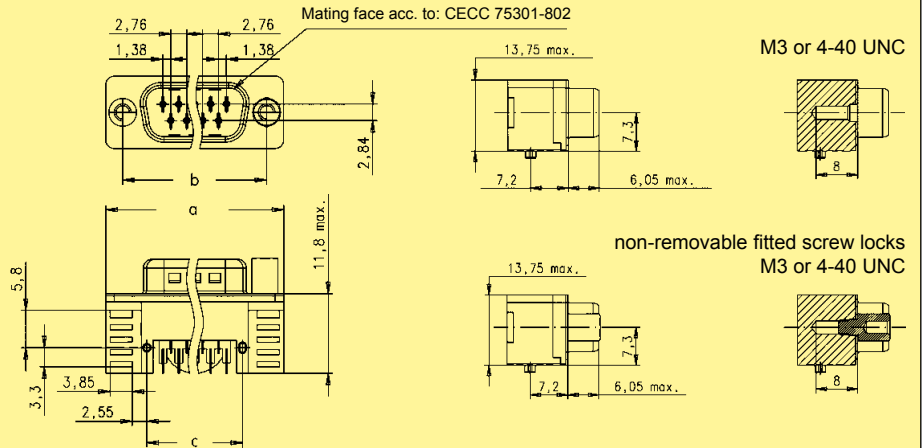
Identification

Drawing

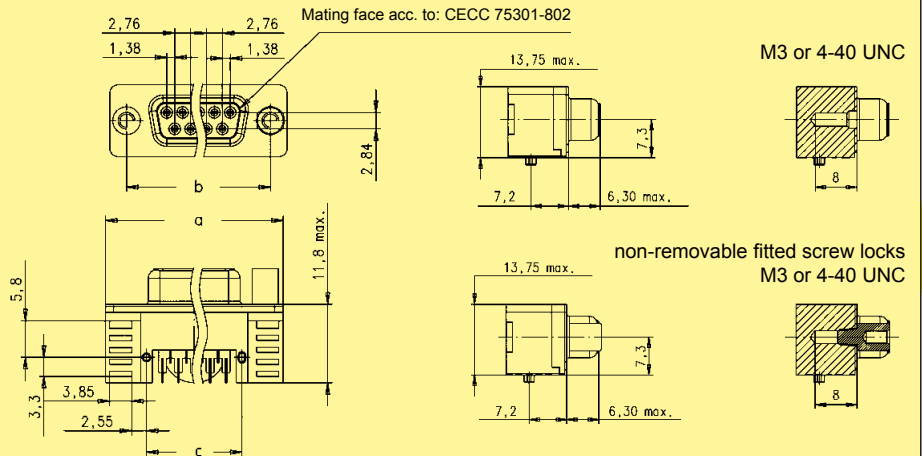
Dimensions in mm

Male connector

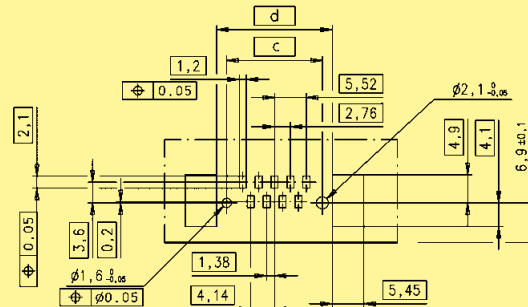
M3 or 4-40 UNC non-removable fitted screw locks M3 or 4-40 UNC



Female connector



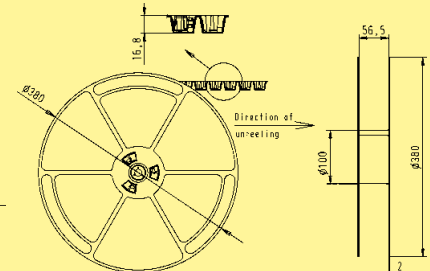
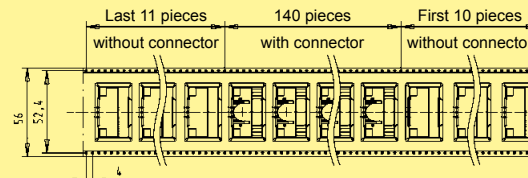
pcb layout



	a	b	c	d
9	31.10	24.99	16.60	20.1
15	39.52	33.32	24.90	28.4
25	53.29	47.04	38.64	42.1
37	69.60	63.50	55.10	58.6

Packaging

(1 reel = 140 pieces)
Reel diameter = 380 mm



SMT technology

Number of contacts

9–37



SMT stamped solder pins, angled with grounding board locks

Identification	No. of contacts	Performance level 3		Performance level 2	
Performance levels Explanations see page 21.02 Other performance levels on request					
Male connector metal shell with dimples	9 15 25 37	09 55 166 78 .. 741 09 55 266 78 .. 741 09 55 366 78 .. 741 09 55 466 78 .. 741		09 55 166 68 .. 741 09 55 266 68 .. 741 09 55 366 68 .. 741 09 55 466 68 .. 741	
Female connector metal shell	9 15 25 37	09 55 156 76 .. 741 09 55 256 76 .. 741 09 55 356 76 .. 741 09 55 456 76 .. 741		09 55 156 66 .. 741 09 55 256 66 .. 741 09 55 356 66 .. 741 09 55 456 66 .. 741	
Please insert digit for flange thread or fitted female screw locks					
M3 ▶ 15 4-40 UNC ▶ 16 non-removable fitted screw locks M3 ▶ 19 non-removable fitted screw locks 4-40 UNC ▶ 20					

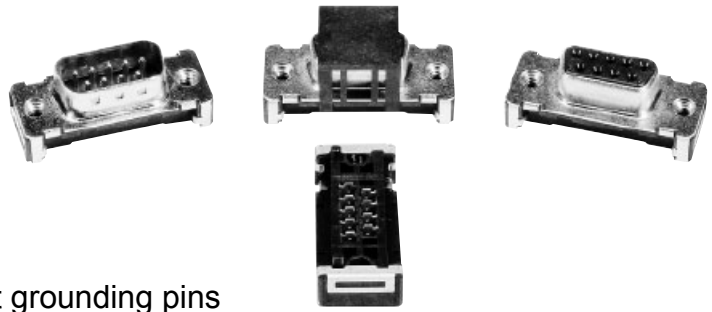
SMT technology

D-Sub



Number of contacts

9-37



SMT stamped solder pins, straight without grounding pins

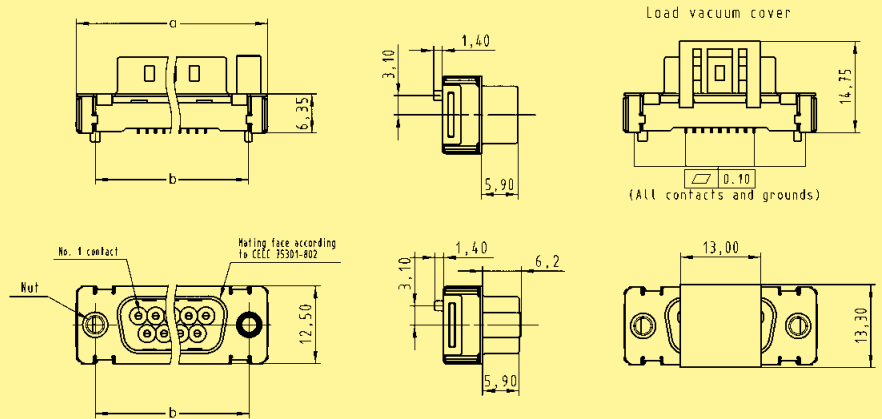
Identification

Drawing

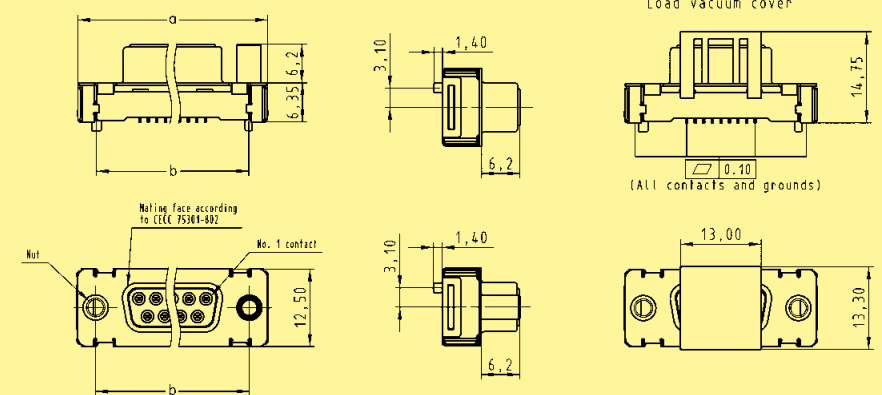
Dimensions in mm

Male connector

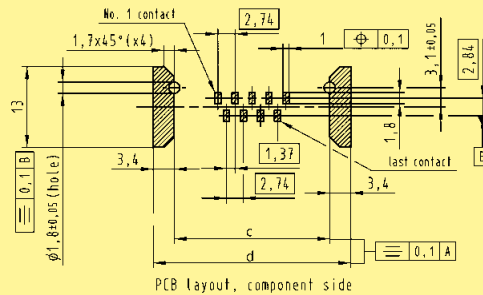
M3 or 4-40 UNC non-removable fitted screw locks M3 or 4-40 UNC



Female connector



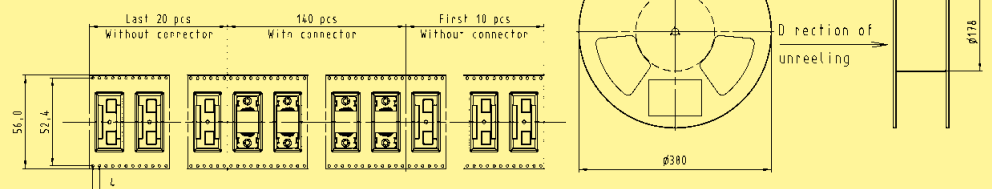
pcb layout



	a	b	c	d
9	31.12	25.00	25.0	31.8
15	39.45	33.33	33.3	40.1
25	53.35	47.04	47.0	53.8
37	69.62	63.50	63.5	70.3

Packaging

(1 reel = 140 pieces)
Reel diameter = 380 mm



SMT technology

Number of contacts

9–37



SMT stamped solder pins, straight with grounding pins

Identification	No. of contacts	Part No.	
Performance levels Explanations see page 21.02 Other performance levels on request		Performance level 3	
		Performance level 2	
Male connector metal shell with dimples			
	9	09 55 169 78 .. 741	09 55 169 68 .. 741
	15	09 55 269 78 .. 741	09 55 269 68 .. 741
	25	09 55 369 78 .. 741	09 55 369 68 .. 741
	37	09 55 469 78 .. 741	09 55 469 68 .. 741
Female connector metal shell			
	9	09 55 155 76 .. 741	09 55 155 66 .. 741
	15	09 55 255 76 .. 741	09 55 255 66 .. 741
	25	09 55 355 76 .. 741	09 55 355 66 .. 741
	37	09 55 455 76 .. 741	09 55 455 66 .. 741
Please insert digit for flange thread or fitted female screw locks			
	M3 ▶ 11		
	4-40 UNC ▶ 12		
	fixed screw locks M3 ▶ 21		
	fixed screw locks 4-40 UNC ▶ 22		

SMT technology

D-Sub



Number of contacts

9-37



SMT stamped solder pins, straight with grounding pins

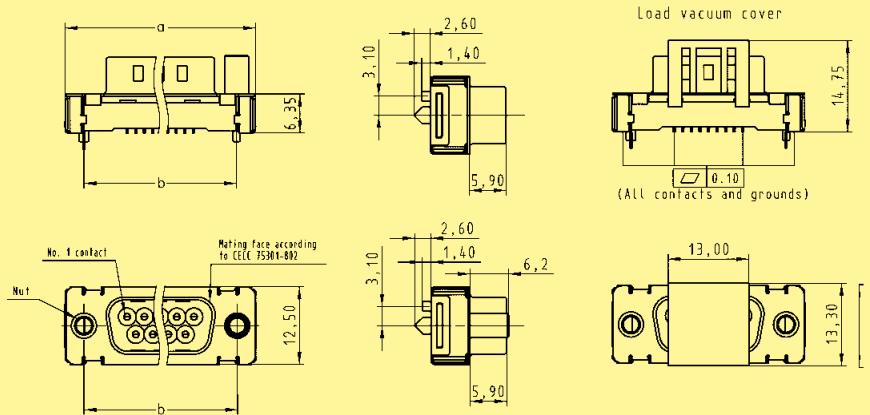
Identification

Drawing

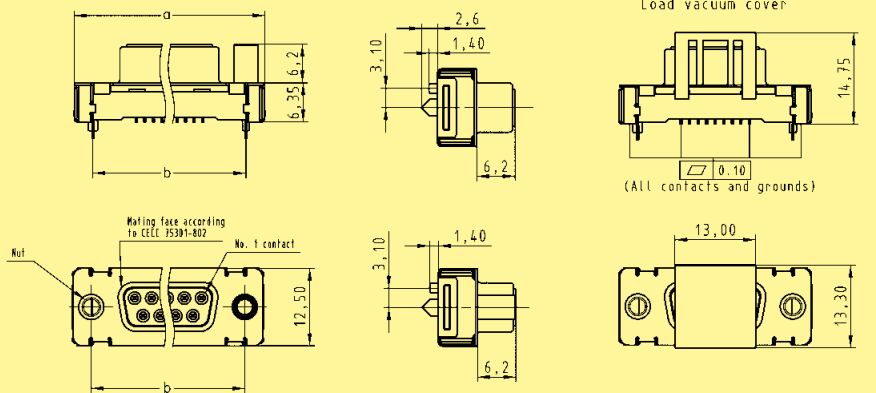
Dimensions in mm

Male connector

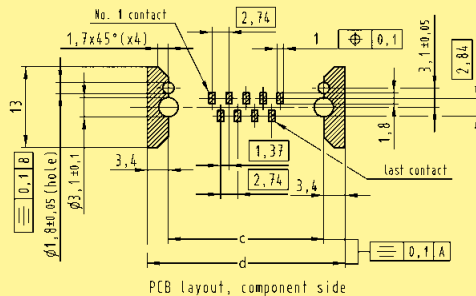
M3 or 4-40 UNC non-removable fitted screw locks M3 or 4-40 UNC



Female connector



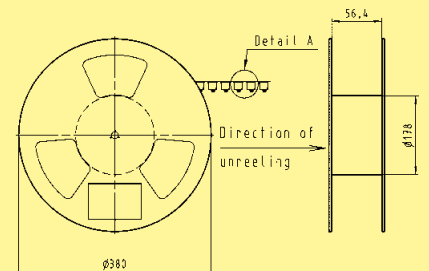
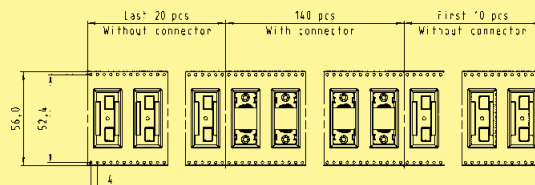
pcb layout



	a	b	c	d
9	31.12	25.00	25.0	31.8
15	39.45	33.33	33.3	40.1
25	53.35	47.04	47.0	53.8
37	69.62	63.50	63.5	70.3

Packaging

(1 reel = 140 pieces)
Reel diameter = 380 mm



SMT technology

