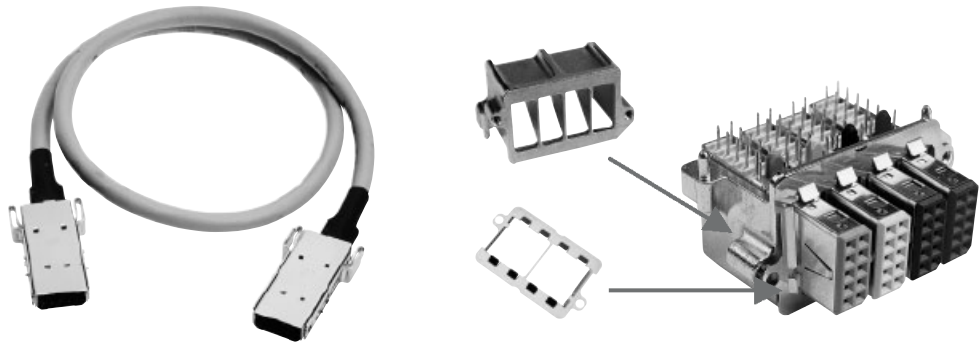


Accessories
and cable assemblies



Identification

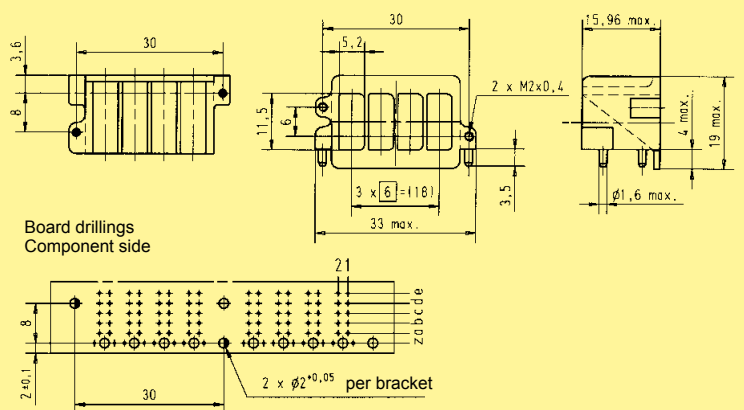
Part No.

Drawing

Dimensions in mm

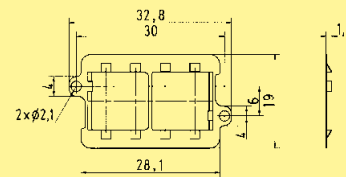
Bracket
with four cavities

27 71 040 0001



Gasket
with four cavities

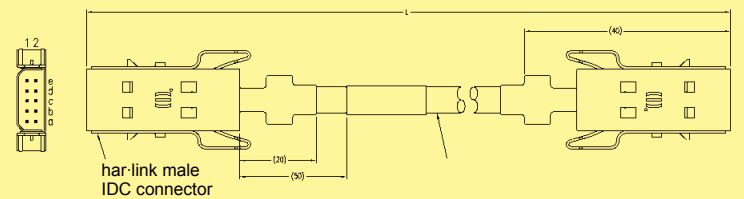
27 71 040 0002



Standard *har-link*®
cable assembly
Cable: 5 twisted pairs,
AWG 28, shielded, PVC
Wiring: 1:1

Length: L = 0.5 m
L = 1.0 m
L = 2.0 m

33 27 243 0500 001
33 27 243 1000 002
33 27 243 2000 003



High end *har-link*®
cable assembly

Cable: 5 twisted pairs,
AWG 30, double
shielded, PVC
Wiring: 1:1

Length: L = 0.5 m
L = 1.0 m
L = 2.0 m

33 27 243 0500 006
33 27 243 1000 007
33 27 243 2000 008

Cable: 5 twisted pairs,
AWG 30, double
shielded, PVC
Wiring: acc. to IEEE 1355

Length: L = 0.5 m
L = 1.0 m
L = 2.0 m

33 27 243 0500 015
33 27 243 1000 016
33 27 243 2000 017

IEEE 1355
wiring

Connector 1	Connector 2
2-e	1-a
1-e	2-a
2-d	1-b
1-d	2-b
2-c	2-c

Connector 1	Connector 2
1-c	1-c
2-b	1-d
1-b	2-d
2-a	1-e
1-a	2-e