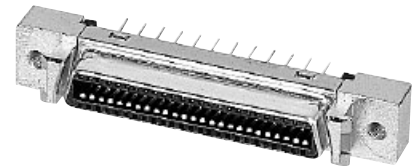


Number of contacts

26–68



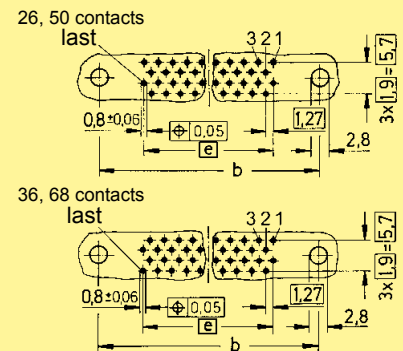
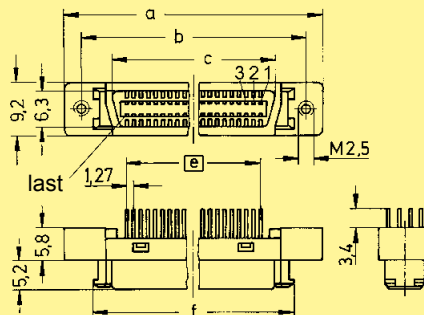
Female connectors, straight

harmik

Identification	No. of contacts	Part No.
Female connectors with straight solder pins	26	60 11 026 5102
	36	60 11 036 5102
	50	60 11 050 5102
	68	60 11 068 5102

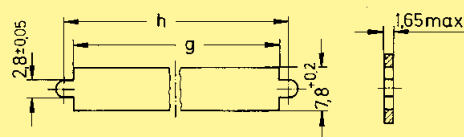
Dimensions

Board drillings



	a	b _{±0.1}	c	e	f	g	h
26	37.16	31.26	20.26	12 x 1.27 = 15.24	27.11	27.50	31.25
36	43.51	37.61	26.61	17 x 1.27 = 21.59	33.46	33.90	37.60
50	52.40	46.50	35.50	24 x 1.27 = 30.48	42.35	42.80	46.50
68	63.83	57.93	46.93	33 x 1.27 = 41.91	53.78	54.20	57.90

Panel cut out



Dimensions in mm