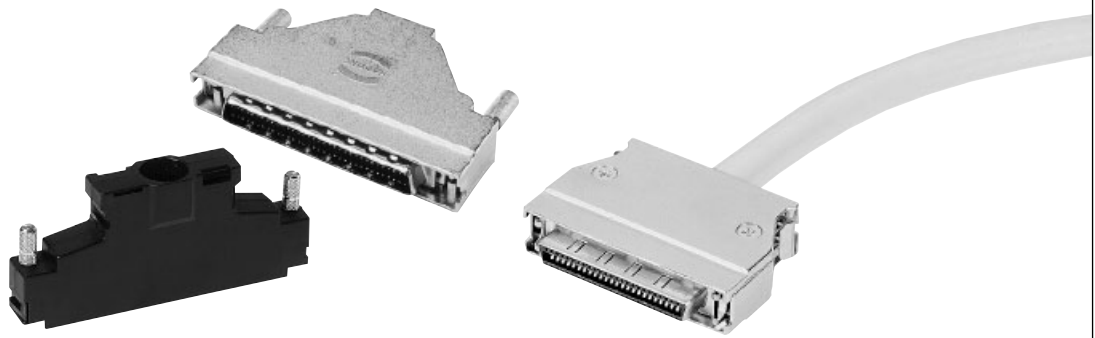


Top entry hoods



Identification

No. of contacts

Part No.

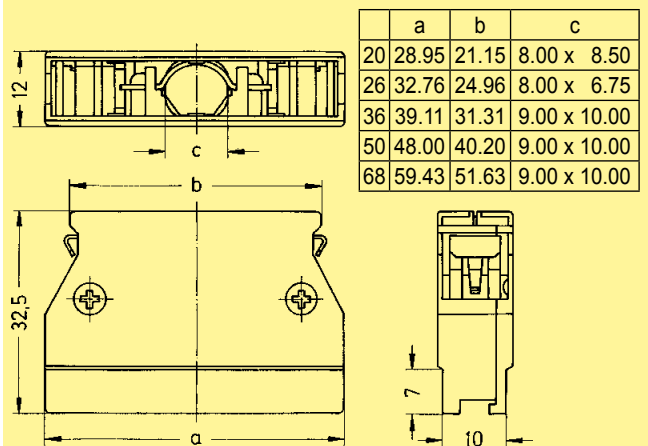
Drawing

Dimensions in mm

Metal hood

Large cable entry

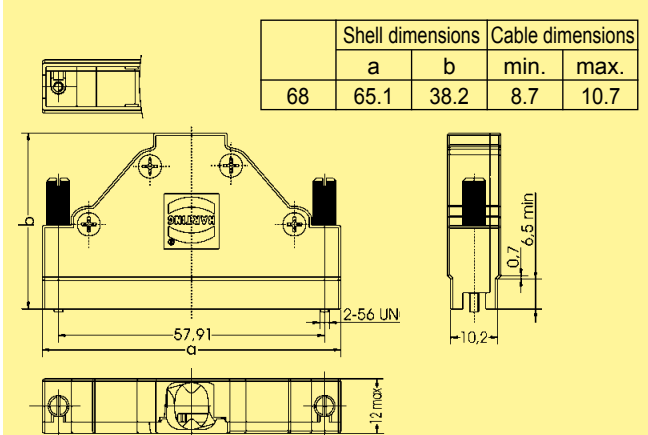
20	60 03 020 0255
26	60 03 026 0255
36	60 03 036 0255
50	60 03 050 0255
68	60 03 068 0255



Metal hood

Top cable entry

68	60 03 068 0145
----	----------------



Plastic hood with internal screen¹⁾

50	60 03 050 0143
68	60 03 068 0143
100	60 03 100 0143

