

Top entry hoods

harmik

Identification No. of contacts Part No. Drawing Dimensions in mm

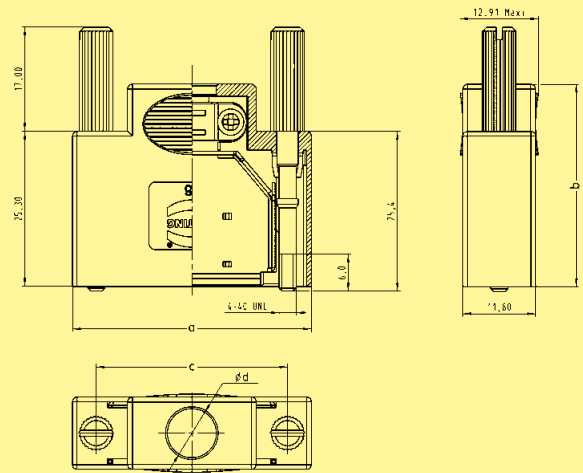
Plastic hood with internal screen and knurled screws

Colour: Beige

14 60 13 014 0146 351¹⁾
 26 60 13 026 0146 351¹⁾
 36 60 13 036 0146 351¹⁾

Colour: Black

14 60 13 014 0146 110¹⁾
 26 60 13 026 0146 110¹⁾
 36 60 13 036 0146 110¹⁾



	a	b	c	d
14	31.40	37.00	23.64	7.2
26	39.00	33.00	31.26	8.0
36	45.40	33.00	37.61	9.2

¹⁾ Temperature range: - 55 °C ... + 85 °C