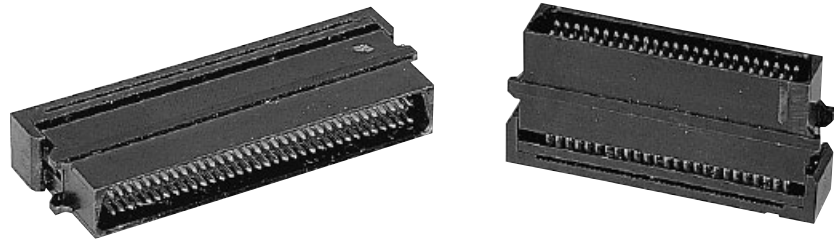


Number of contacts

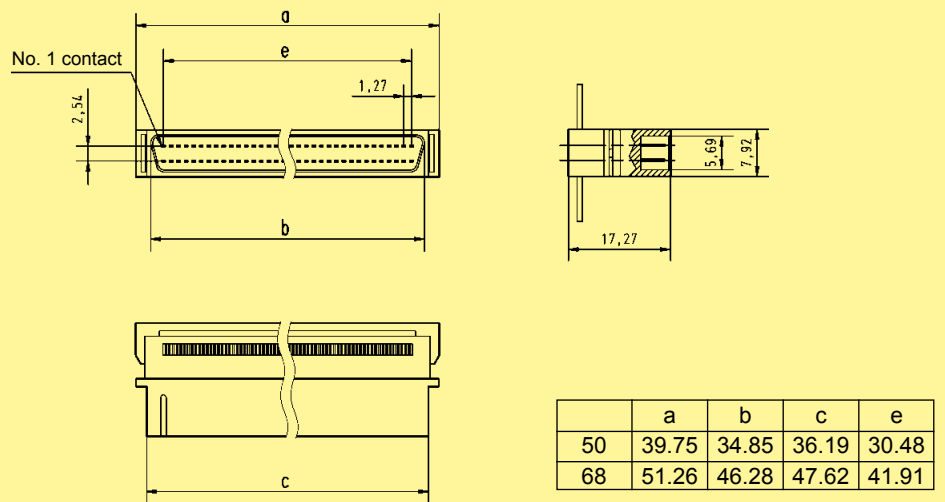
50–68



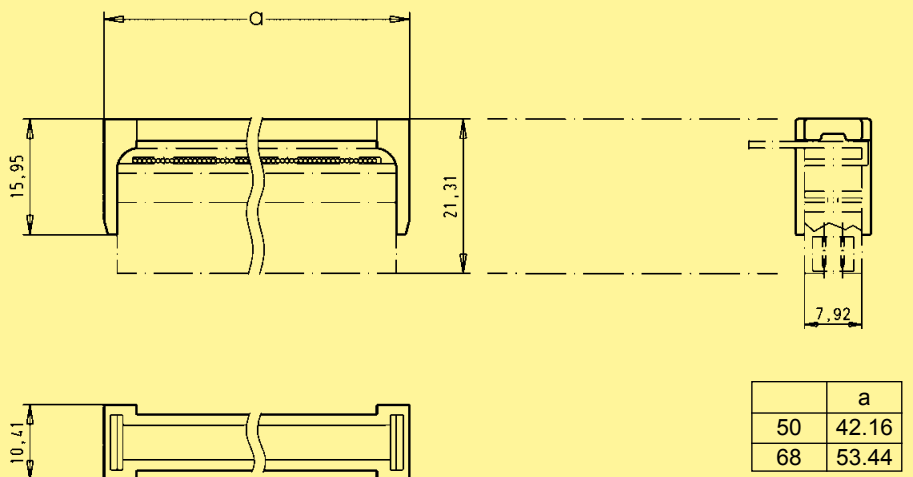
Male connectors for IDC flat cable, straight

Identification	No. of contacts	Part No.
Male connectors with insulation displacement termination for IDC flat cable pitch 0.635 mm AWG 30 Strain relief order separately		Male connector
	50	60 06 050 5440
	68	60 06 068 5440
		Strain relief
		60 06 050 9001
		60 06 068 9001

Dimensions



Strain relief



Dimensions in mm