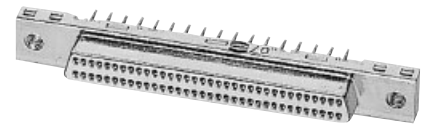


Number of contacts

68

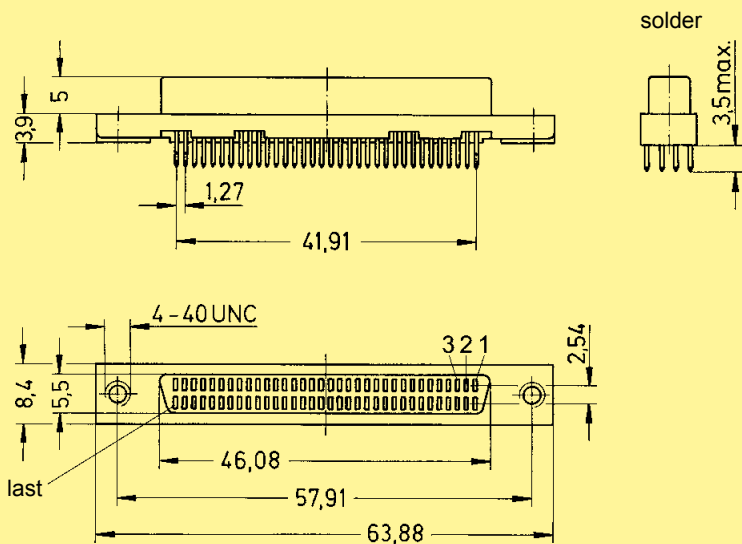


Female connectors, straight

har-mik

Identification	No. of contacts	Part No.
Female connector with straight solder pins	68	60 02 068 5120

Dimensions



Board drillings
(Components side)

