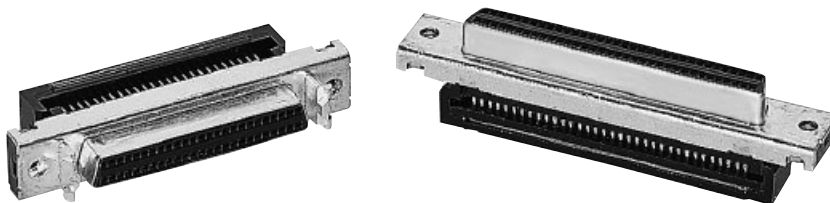


Number of contacts

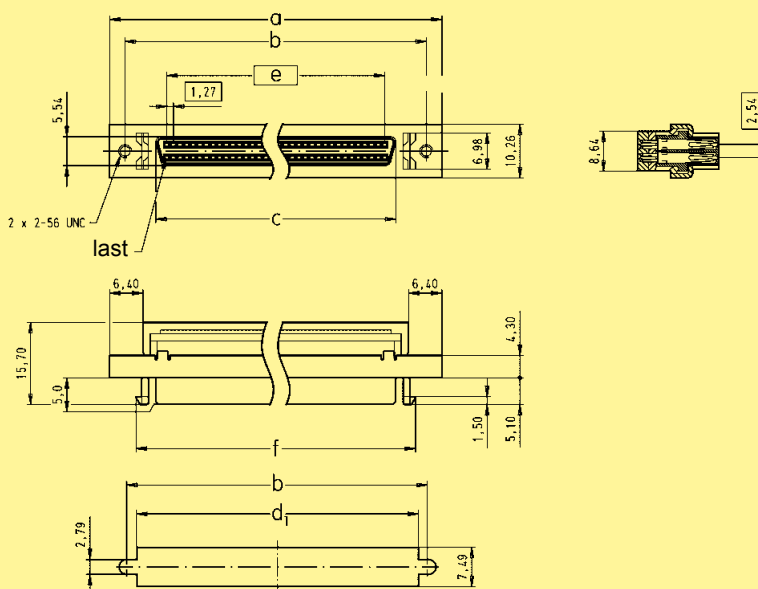
# 50-68



## Female connectors for IDC flat cable, straight

Identification	No. of contacts	Part No.	
		with latch system	with screw lock system
Female panel connectors with insulation displacement termination for IDC flat cable pitch 0.635 mm AWG 30	50	60 04 050 5343	60 04 050 5344
	68	60 04 068 5343	60 04 068 5344

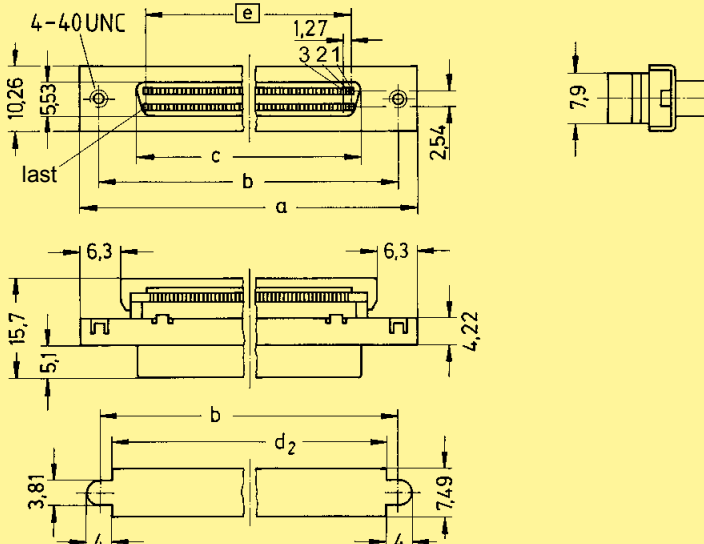
### Dimensions for connectors with latch system



### Panel cut out

	a	b	c	d <sub>1</sub>	d <sub>2</sub>	e	f
50	52.45	46.48	34.70	42.80	42.30	30.48	42.30
68	63.88	57.91	46.13	54.23	53.72	41.91	53.72

### Dimensions for connectors with screw lock system



### Panel cut out

Dimensions in mm