

D-Sub-S

Identification

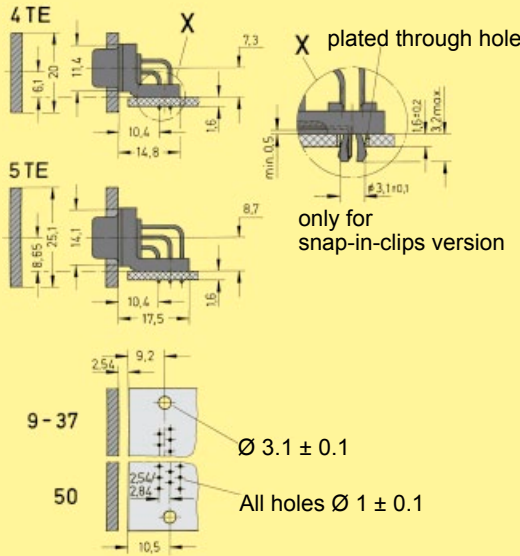
Drawing

Dimensions in mm

Standard Versions

Mounting height 7.3 mm
9-37 way
for front panel
4 units of width (TE)

Mounting height 8.7 mm
50 way
for front panel
5 units of width (TE)

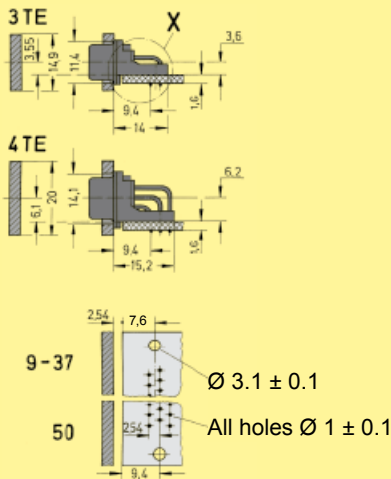


for connectors see pages 02.10 – 02.15

Low-Profile Versions

Mounting height 3.6 mm
9-37 way
for front panel
3 units of width (TE)

Mounting height 6.2 mm
50 way
for front panel
4 units of width (TE)



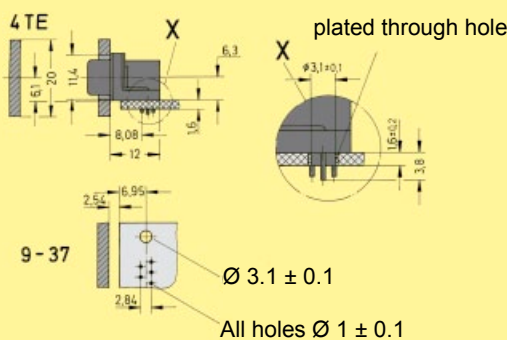
When used in a wave soldering process the mating face of the connector must be protected with adhesive tape.



for connectors see pages 02.16 – 02.19

U.S. Footprint Versions

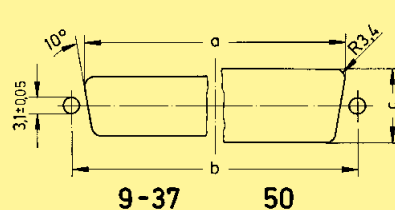
Mounting height 6.3 mm
9-37 way
for front panel
4 units of width (TE)



for connectors see pages 02.20 – 02.21

Panel cut out
for front/rear mount

Values are taken from the
CECC 75 301-802



Front mount

Rear mount

	$a_{\pm 0.2}$	$b_{\pm 0.13}$	$c_{\pm 0.2}$		$a_{\pm 0.2}$	$b_{\pm 0.13}$	$c_{\pm 0.2}$
9	22.2	25.0	12.3	9	20.5	25.0	11.4
15	30.5	33.3	12.3	15	28.8	33.3	11.4
25	44.3	47.0	12.3	25	42.5	47.0	11.4
37	60.7	63.5	12.3	37	59.1	63.5	11.4
50	58.3	61.1	15.1	50	56.3	61.1	14.1