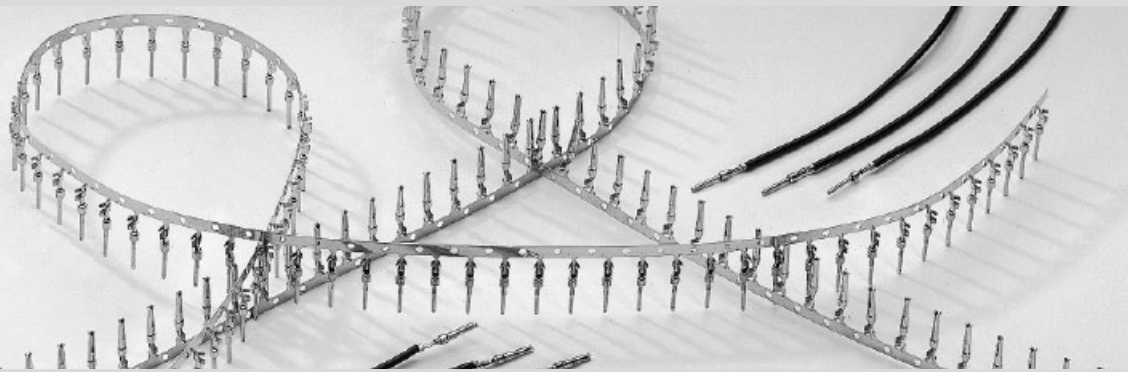


Stamped  
crimp contacts



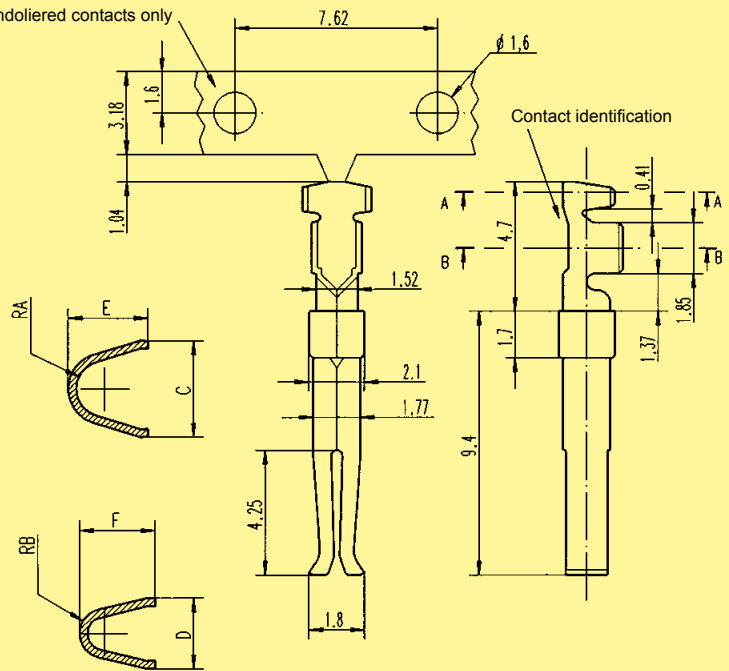
Identification

Drawing

Dimensions in mm

Female contacts

For banded contacts only



AWG	C	D	E	F	RA	RB	Contact identification
20-24	2.46	1.78	1.98	1.90	0.71	0.43	—
24-28	1.65	1.47	1.52	1.52	0.50	0.33	====