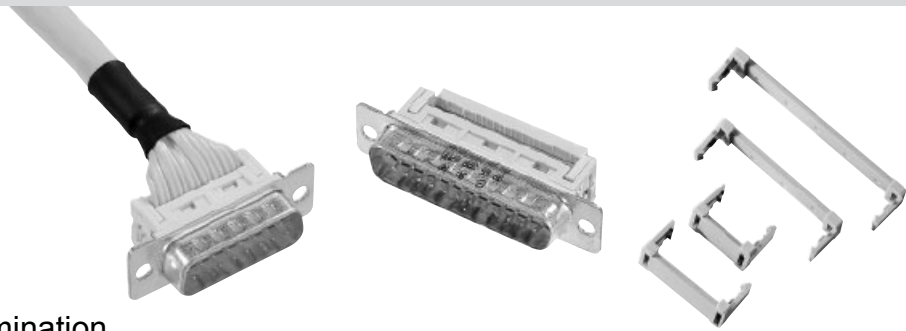


Number of contacts

9-37



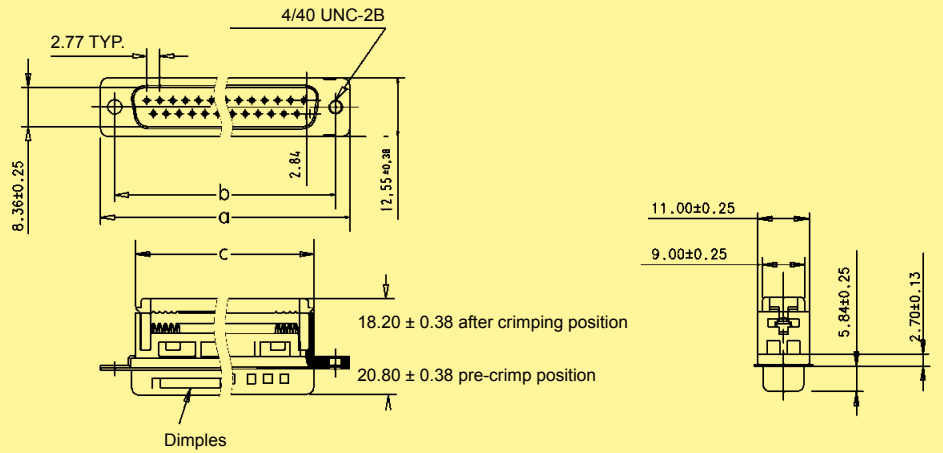
Insulation displacement termination

Identification

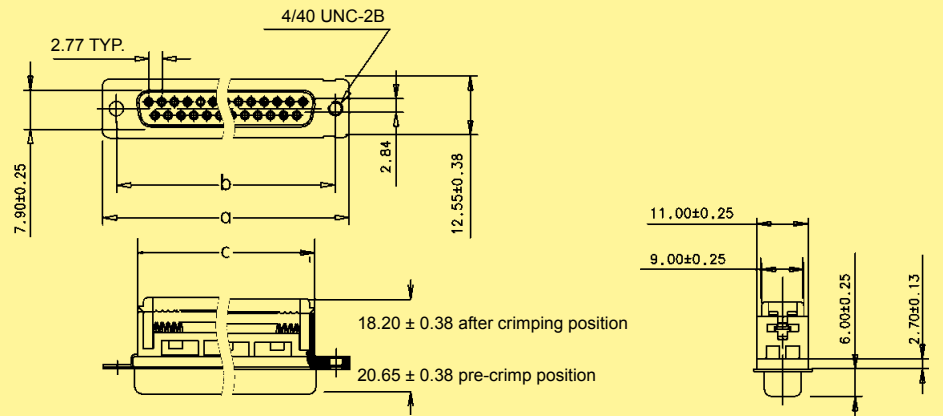
Drawing

Dimensions in mm

Male connector



Female connector

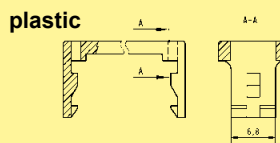


Male and female connectors

| | a | b±0.1 | c |
|----|-------|-------|-------|
| 9 | 30.80 | 24.99 | 16.10 |
| 15 | 39.10 | 33.32 | 24.00 |
| 25 | 53.09 | 47.04 | 38.14 |
| 37 | 69.40 | 63.50 | 54.60 |

Specified conductors
stranded wires – AWG 28/7
– AWG 26/7

Strain relief clamps



Panel cut out for front/rear mount

Values are taken from the CECC 75 301-802

see page 02.22