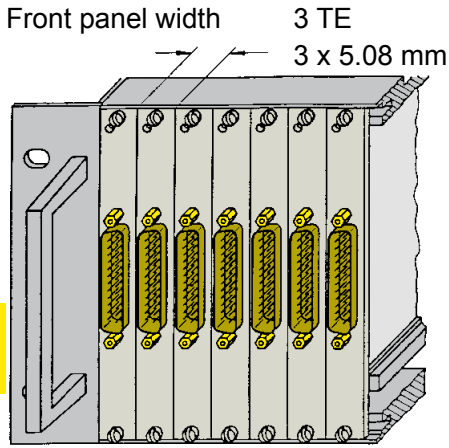
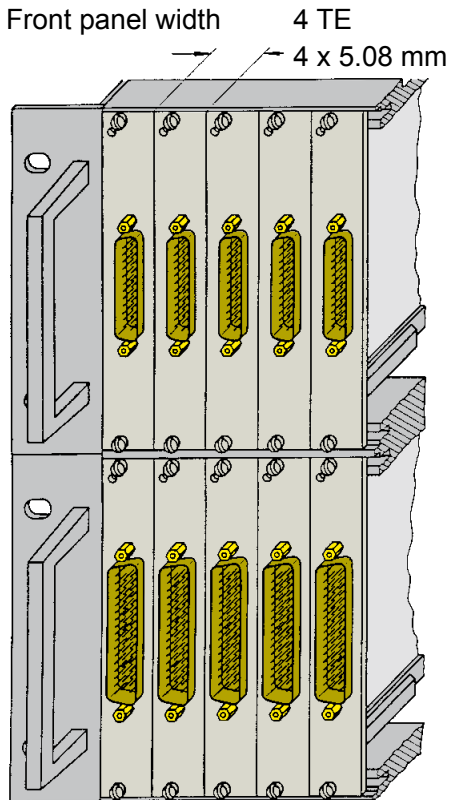
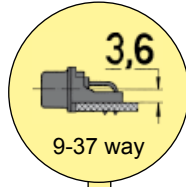


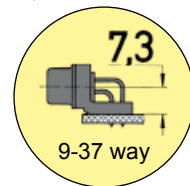
D-Sub - S



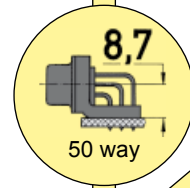
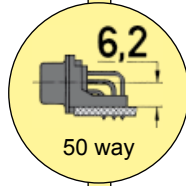
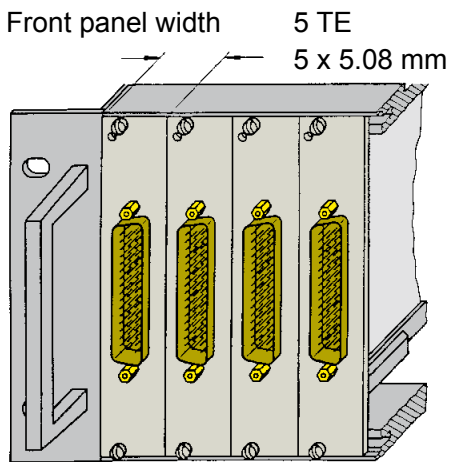
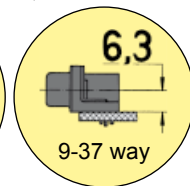
Low-Profile Versions
pages 02.16 – 02.19



Standard Versions
pages 02.10 – 02.15



U.S. Footprint Versions
pages 02.20 – 02.21



Metal shell
mating face

Fixed contacts

Integrated mounting bracket

