

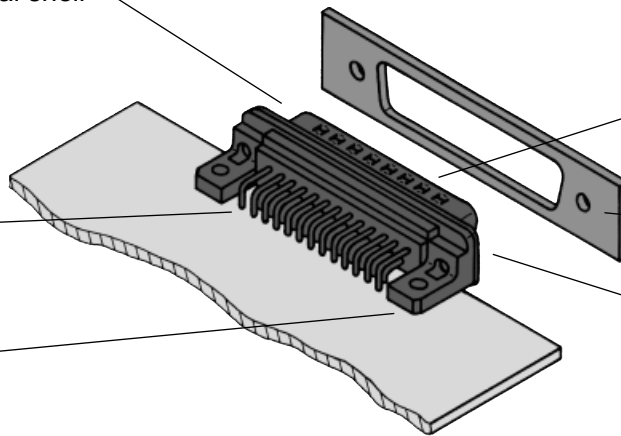
Advantages

All-round protective metal shell

- Polarisation
- Contact protection
- Plated shell
- Male connector with dimples

Plated terminations for increased solderability

Grounding contact riveted to metal shell



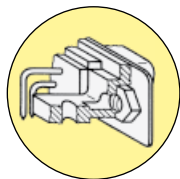
Contact surface finish to different performance levels

Panel

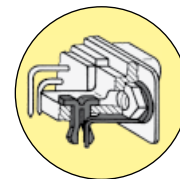
Different metal threads possible in flange area

- M3
- 4-40 UNC
- fitted female screw locks 4-40 UNC
- max. torque ≤ 0.8 Nm

Integrated plastic mounting bracket



Mounting bracket



Mounting bracket with snap-in-clips and grounding pin

Mounting height

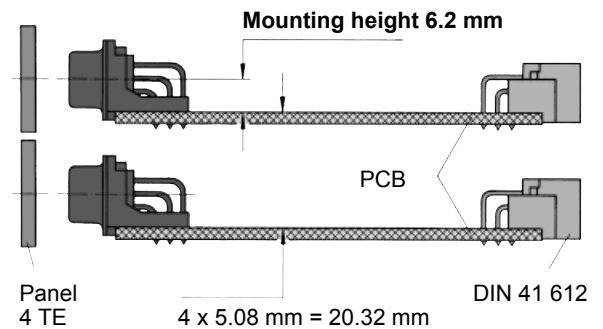
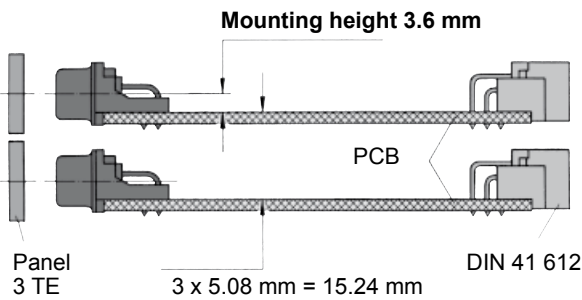
Low-Profile Versions

The reduced mounting height of these connectors allow them to be used on the same PCB as DIN 41 612

types with no loss of packaging density when card frames to DIN 41 494 are used.

9-37 way connectors with 3.6 mm mounting height can be fitted to front panels of 3 TE (15.24 mm) width.

50 way connectors with 6.2 mm mounting height can be fitted to front panels of 4 TE (20.32 mm) width.



Standard Versions      US Footprint

9-37 way connectors with 7.3 mm mounting height can be fitted to front panels of 4 TE (20.32 mm) width.

50 way connectors with 8.7 mm mounting height can be fitted to front panels of 5 TE (25.4 mm) width.

