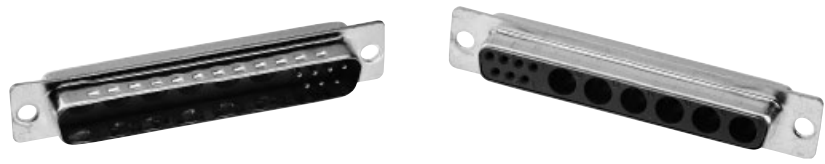


Number of contacts

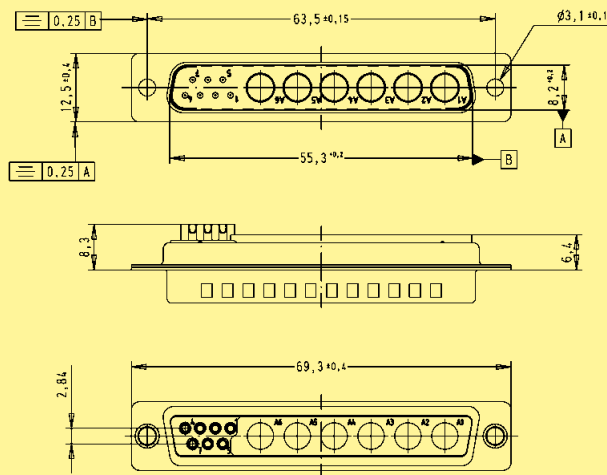
# 13



Mixed shells with pre-mounted signal solder cup contacts

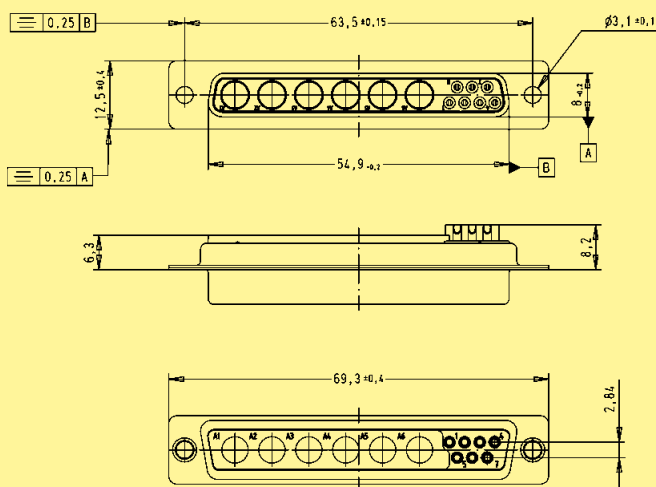
Identification	No. of contacts <sup>1)</sup>	Part No.			
		male connectors		female connectors	
		Performance level 3	S4 <sup>2)</sup>	Performance level 3	S4 <sup>2)</sup>
13W6		09 69 411 7136	09 69 411 5136	09 69 401 7136	09 69 401 5136

Male connectors



Solder cup termination for AWG 20 (0.5 mm<sup>2</sup>)

Female connectors



Solder cup termination for AWG 20 (0.5 mm<sup>2</sup>)

Dimensions in mm

<sup>1)</sup> Explanations see page 04.03  
<sup>2)</sup> S4 = 0.76 µm Au or PdNi equivalent  
 Board drillings see pages 04.30 ff

Order special contacts separately. See pages 04.21 ff

D-Sub - M