

Number of contacts

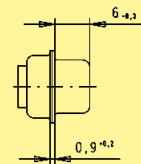
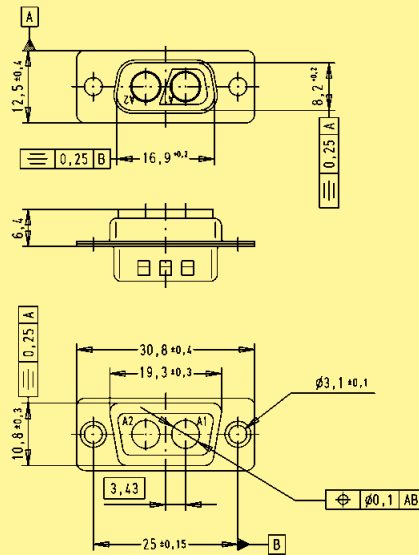
2



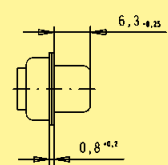
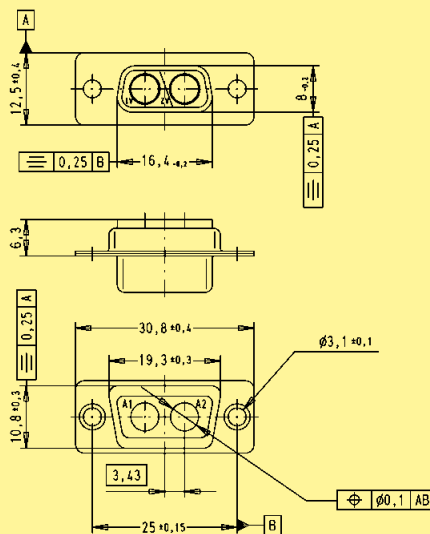
Coded shells without signal contacts for cable applications

Identification	No. of contacts ¹⁾	Part No.
		male connector
	2W2C	09 69 110 0022
		female connector
		09 69 100 0022

Male connectors



Female connectors



Dimensions in mm

¹⁾ Explanations see page 04.03
 Board drillings see pages 04.30 ff
 Order special contacts separately. See pages 04.21 ff